

**Terramor Catskills
Special Use Permit & Site Plan Approval Application
July 1, 2022**

Lighting Cut Sheets

SITE LIGHTING FIXTURES

SOLID STATE AREA LIGHTING

DSAP SERIES-PLED

FEATURES

Luminaire

Upper housing is heavy gauge cast aluminum (min. .125" wall; alloy >0.2% Cu for DSAP25) or spun aluminum with reveal (.125" min. wall for DSAP20). Lower housing is 0.080" thick spun aluminum with integrated LED module seat. Lower housing is vented at top and bottom for convective cooling of LED module. Top Driver chamber is barriered from LED Module chamber. Truelevel ball coupling mount is welded to housing and facilitates quick leveling and installation.

PLED[®] Optics

Emitters (LED's) are arrayed on a metal core PCB panel with each emitter located on a copper thermal transfer pad and enclosed by an LED refractor. LED optics completely seal each individual emitter to meet an IP66 rating. In asymmetric distributions, a micro-reflector inside the refractor re-directs the house side emitter output towards the street side and functions as a house side shielding element. Refractors are injection molded H12 acrylic. Each LED refractor is sealed to the PCB over an emitter and all refractors are retained by an aluminum frame. Any one Panel, or group of Panels in a luminaire, have the same optical pattern. LED refractors produce standard site/area distributions. Panels are field replaceable and field rotatable in 90° increments.

LED Emitters

High output LED's are utilized with drive currents ranging from 350mA to 875mA. 70CRI Minimum. LED's are available in standard Neutral White (4000K), or optional Cool White (5000K) or Warm White (3000K). Consult Factory for other LED options.

LED Driver

Constant current electronic with a power factor of >.90 and a minimum operating temperature of -40°F/-40°C. Driver(s) is/are UL and cUL recognized. In-line terminal blocks facilitate wiring between the driver and optical arrays. Drivers accept an input of 120-277V, 50/60Hz or 347V-480V, 50,60Hz. (0 - 10V dimmable driver is standard. Driver has a minimum of 3KV internal surge protection. Luminaire supplied with 20KV surge protector for field installation.)

Amber LED's

PCA (Phosphor Converted Amber) LED's utilize phosphors to create color output similar to LPS lamps and have a slight output in the blue spectral bandwidth. TRA (True Amber) LED's utilize material that emits light in the amber spectral bandwidth only without the use of phosphors.

Finish

Polyester powder coat incorporates four step iron phosphate process to pretreat metal surface for maximum adhesion. Top coat is baked at 400°F for maximum hardness and exterior durability.

ROADWAY LIGHT FIXTURE



DSAP25

Patent pending



DSAP20

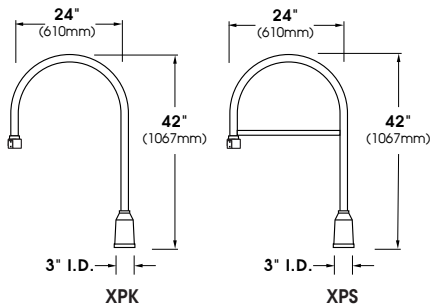
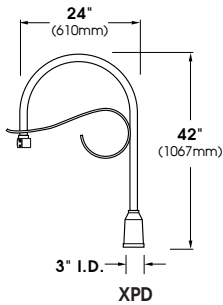
(Formerly DSAP1)

Patent pending

DSAP SERIES - PLED

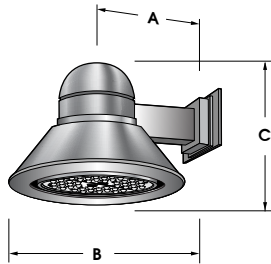
SPECIFICATIONS

Mounting Styles



MOUNT: WILL BE HUNG FROM WOODEN POLE

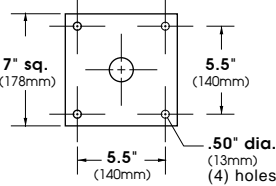
Wall Mount



Fixture	A	B	C
DSAP25	18" (457mm)	25" (635mm)	18.5" (470mm)
DSAP20	14" (356mm)	20" (508mm)	16.5" (368mm) ^a

Extruded aluminum arm and cast aluminum wall bracket assembly provided with built in gasketed wire access for fixture/supply wire connection.

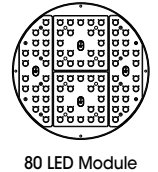
Wall Plate



PLED™ Modules



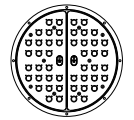
DSAP25 E.P.A.= 1.23
Available in:
80 LED Module Max



80 LED Module



DSAP20 E.P.A.= 0.77
Available in:
48 LED Module Max



48 LED Module

ORDERING INFORMATION

Spec/Order Example: DSAP20/PLED-II/48LED-350mA/NW/347/1/RAL-7005-S

Luminaire	Optics	LED Mode			Voltage	Mounting	Finish	Options
Luminaire	Optics	LED			Voltage	Mounting	Finish	Options
<input type="checkbox"/> DSAP25-PLED <input type="checkbox"/> DSAP20-PLED (Formerly DSAP1)	PLED™ Distribution Type <input type="checkbox"/> Type II PLED-II <input type="checkbox"/> Type II Front Row PLED-II-FR <input type="checkbox"/> Type III Med. PLED-III-M <input type="checkbox"/> Type III Wide PLED-III-W <input type="checkbox"/> Type IV PLED-IV <input type="checkbox"/> Type IV PLED-IV-FT <input type="checkbox"/> Type V Narrow PLED-V-SQ-N <input type="checkbox"/> Type V Med. PLED-V-SQ-M <input type="checkbox"/> Type V Wide PLED-V-SQ-W	# of LEDs DSAP25 <input type="checkbox"/> 80LED ¹ <input type="checkbox"/> 48LED <input type="checkbox"/> 36LED DSAP20 <input type="checkbox"/> 48LED ¹ <input type="checkbox"/> 36LED <input type="checkbox"/> 20LED	Drive Current <input type="checkbox"/> 1050mA ² <input type="checkbox"/> 875mA ² <input type="checkbox"/> 700mA ² <input type="checkbox"/> 525mA ² <input type="checkbox"/> 350mA ²	Color Temp - CCT <input type="checkbox"/> NW (4000K)* *Standard <input type="checkbox"/> CW (5000K) <input checked="" type="checkbox"/> WW (3000K) Other LED Colors Available Consult Factory Amber ³ <input type="checkbox"/> Phosphor Converted Amber PCA ⁴ <input type="checkbox"/> True Amber ⁵ TRA	<input type="checkbox"/> 120 <input type="checkbox"/> 208 <input type="checkbox"/> 240 <input type="checkbox"/> 277 <input type="checkbox"/> 347 <input type="checkbox"/> 480	<input type="checkbox"/> XPK <input type="checkbox"/> XPS <input type="checkbox"/> XPD <input type="checkbox"/> I Wallmount <input type="checkbox"/> WM	Standard Textured Finish <input type="checkbox"/> Black RAL-9005-T <input type="checkbox"/> White RAL-9003-T <input type="checkbox"/> Grey RAL-7004-T <input checked="" type="checkbox"/> Dark Bronze RAL-8019-T <input type="checkbox"/> Green RAL-6005-T For smooth finish replace suffix "T" with suffix "S" (Example: RAL-9500-S) Consult factory for custom colors	<input type="checkbox"/> Stem Mount + Length(in) (48" Max) SM+L <input type="checkbox"/> Chain Mount + Length(in) (48" Max) CM+L <input type="checkbox"/> Internal House Side Shield inc. LED Count (Example: HS-PLED/48) HS-PLED <input type="checkbox"/> Twist Lock Receptable Only TPR <input type="checkbox"/> 7-Pin Twist Lock Receptable Only TPR7 <input type="checkbox"/> High-Low Dimming for Switch by Others/Select Levels 50/100 or 25/100 (Example: HLSW/25) HLSW <input type="checkbox"/> Photo Cell + Voltage (Example: PC120V) PC+V <input type="checkbox"/> Single Fuse (120V, 277V) SF <input type="checkbox"/> Double Fuse (208V, 240V) DF <input type="checkbox"/> Blue-Tooth Programmable Photo/Motion Sensor (Factory - Motion 50/100; Photo 75c) MS-F311
NOTES: 1 - 875mA maximum 2 - 700mA and 875mA not for use with TRA LED's 3 - Narrow band Ambers have no Definable CCT equivalent 4 - 700mA maximum 5 - Available in 350mA & 525mA drive currents only								



Tree Mount High Power / Retro PURE LED

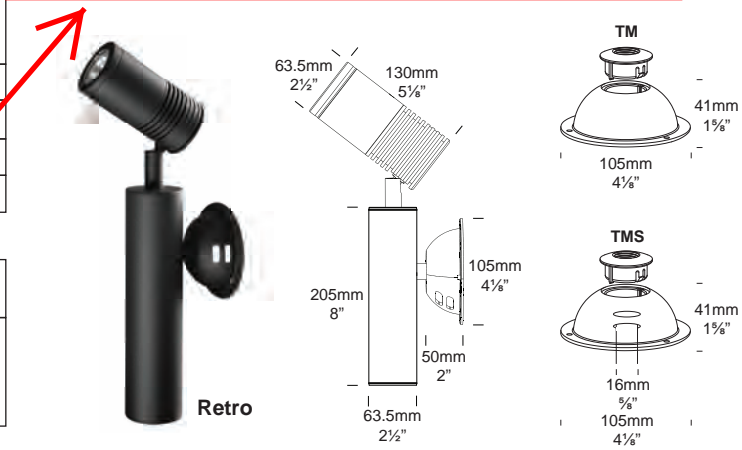
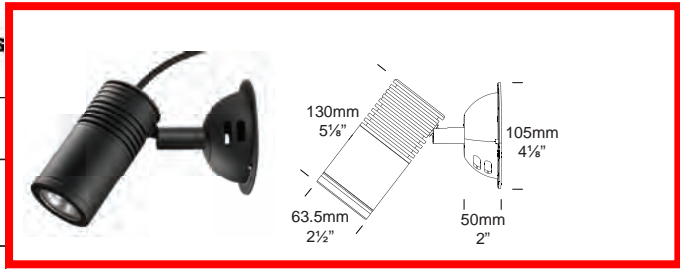
TREE DOWNLIGHT FIXTURE

TYPE:
SOURCE:
NOTES:

SPECIFICATIONS



LED Chip	Cree CXA1512 Plug and Play field replaceable LED board
Luminaire Output	1200 Lumens @ 700mA, delivered from luminaire with unobstructed beam.
Lumens Per Watt	100 Lumens @ 12 watts minimum, delivered from luminaire with unobstructed beam
CRI (3000K)	85+ Standard, 90+ Optional
Colour Temperatures	2700K, 3000K, 4000K
Beam Angles	15, 30, 40, 70
Ingress Protection	IP66
Warranty	Electronics = 5 years Body Aluminium = 5 years
Standards	AS/NZS 61046 cUL 1598 CSA C22.2 No. 250.0 CE



PRODUCT CONFIGURATION

Please fill in appropriate codes into boxes provided

Cat. No. TM/HP or TMS/HP

Luminaire	Power	Material/ Finish	Beam	Colour	Accessories
<input type="text" value="TM/HP"/> <input type="text" value="TMS/HP"/>	<input type="text"/>	<input type="text"/>	<input type="text"/>	<input type="text"/>	<input type="text"/>
SR 700mA Input, Series Wired 12W R 110/240V Input, Retro, Parallel Wired D24 24VDC Input, Parallel Wired	<input type="text"/>	ALUMINIUM <input type="text" value="EBZ"/> BRONZE <input type="text"/> ERK BLACK <input type="text"/> EOGR OLIVE GREEN <input type="text"/> EPH WHITE <input type="text"/> EWB WHITE BIRCH <input type="text"/> EDG DARK GREY <input type="text"/> ESTAR SILVER STAR <input type="text"/> ECT CORTEN	<input type="text"/> 15° <input type="text"/> 30° <input type="text"/> 40° <input type="text" value="10"/> 10°	<input type="text"/> 2700K <input type="text" value="3"/> 3000K <input type="text"/> 4000K <input type="text"/> 3000K, 90+ CRI	<input type="text"/> CJK CABLE JOINT KIT <input type="text"/> HCL HEX CELL LOUVRE KIT <input type="text"/> SNT SNOOT <input type="text"/> GG GLARE GUARD <input type="text"/> LF FROSTED LENS <input type="text"/> LKN LOCKING KNUCKLE

SERIES REMOTE DRIVER:
Constant current driver (included) individual fixtures require 18vdc @ 700mA maximum. 0-10 volt dimming.

RETRO 110/240VAC DRIVER:
Constant current driver (included).
Input: 90/305vac, 13 watt total.
Output: 18vdc, 700mA
0-10 volt dimming.

24VDC DRIVER:
Input: 24vdc.
Output: 18vdc @ 700mA constant current (non dimming).
Note: not for USA.

ADDITIONAL COMMENTS:

LUMINAIRE CONSTRUCTION

CNC machined from one of the following metals:

Aluminium:

Body: high corrosion resistant 63.5mm (2^{1/2}") x 10mm (3/8") aluminium.

End cap: solid aluminium 63.5mm (2^{1/2}") rod, with chromate substrate and high UV resistant polyester powder coat.

Colours:

Black, Bronze, Silver Star, White, White Birch, Olive Green, Dark Grey, Corten.

Dome:

Molded from glass-filled polypropylene with snap in 1/2" NPS female adaptor.

Lens:

10mm (3/8") Extra clear, low iron, shatter resistant glass.

Lifetime warranty

Knuckles:

Aluminium luminaires: 360° rotation and 0-90° elevation, solid brass with anti rust spring.

Gaskets:

Silicone, iron impregnated 220°C (428°F)

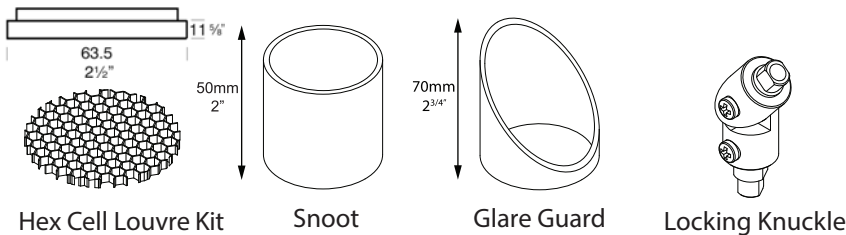
Mounting:

The Tree Mount Dome is secured to the tree with 3 x 95mm (1/8" x 3^{3/4}") 316 stainless steel bolts. The Tree Mount Rubber Strap version is secured to the tree with an adjustable rubber strap. The strap is supplied in a 1m (39^{3/8}") and can be tightened against the tree.

Luminaire Weight:

Alum: 0.870kg (1lb 15oz)

ACCESSORIES



Hex Cell Louvre Kit

Snoot

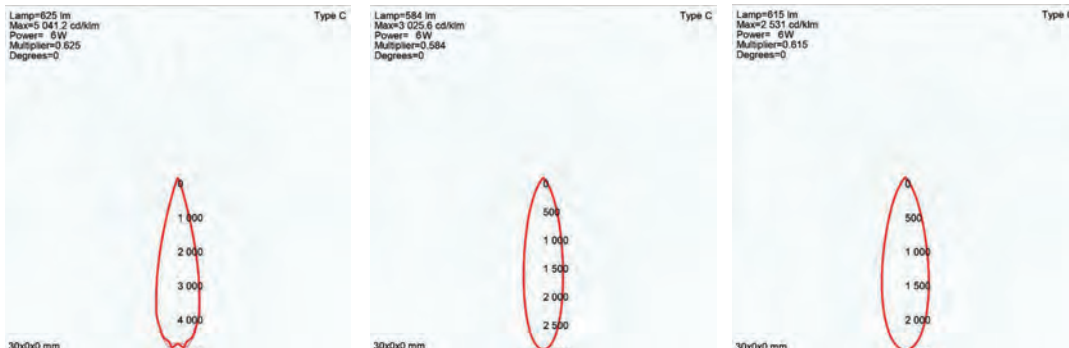
Glare Guard

Locking Knuckle

BEAM ANGLES

High efficiency PMMA TIR lenses. Field replaceable

IES files available for download: hunzalighting.com/downloads



15° FWHM TIR

30° FWHM TIR

40° FWHM TIR

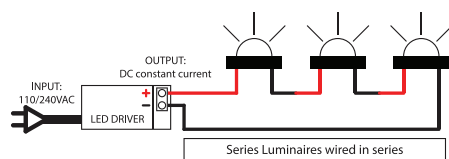
WIRING GUIDE

Available for download: hunzalighting.com/downloads

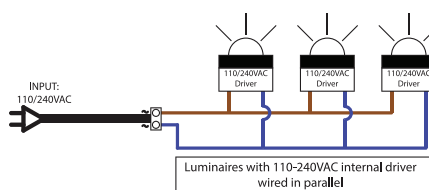
Series/remote driver

110/240v integral driver

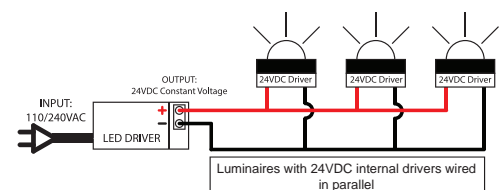
24vdc integral driver



Series Luminaires wired in series



Luminaires with 110-240VAC internal driver wired in parallel



Luminaires with 24VDC internal drivers wired in parallel

Diagrams are a guide only, wire colours and polarity may change depending on fixture and country

Specifications may change without notification

Aug 2017

WOOD BOLLARD LIGHT FIXTURE

FCSL1000 Series

Fixture:
Project:

FCSL1000 Sereis ADA certified, direct AC, die-cast step light for installation in standard, single-gang j-box for interior or exterior applications. ELV dimming included.

120V ONLY



SPECIFICATIONS

PHYSICAL	
dimensions	Fixture 3.1" W x 4.9" H x depth from surface: FCSL1011 .9" D FCSL1012 or FCSL1013 .6" D FCSL1014 or FCSL1015 .3" D
weight	0.4 lbs
housing	Marine grade, corrosion resistant, heavy walled, die-cast aluminum
lens	White glass lens
mounting	Mounts directly to single-gang J-Box with minimum inside dimension, 4"H X 2"W X 1.75"D, Mount Vertical (std) or in Horizontal Position (HP)
ingress protection	IP65 : dry, damp or wet locations with neoprene gasket
faceplate finish	Six stage chemical iron phosphate conversion pre-treatment. Polyester powder coat finish, 18 µm Min., 5000hr salt spray test (ASTM B117) compliant with Florida / AAMA 2604 specification.

PERFORMANCE	
color temperature	2700K 3000K 3500K 4000K
lumen output	models: FCSL1011 35 lm FCSL1012 10 lm FCSL1013 15 lm FCSL1014 50 lm FCSL1015 76 lm
lifetime	> 70,000 hours / L70 or better
color consistency	3 SDCM / 85 CRI
operating temperature	-13°F to 104°F (-25°C to 40°C)
warranty	5-Year limited warranty (refer to website for details)

ELECTRICAL	
input voltage	120V AC only
power supply	integral Class II, electronic high-power factor > 94% @120V
standards	ETL / cETL
power consumption	3W (10~76 lm)
dimming	ELV dimming, 10% minimum (included)

Due to continuous development and improvements, specifications are subject to change without notice. FC Lighting reserves the right to change lab test details or specifications without notice. Product use certifies agreement to FC Lighting terms and conditions. FCC Series Cylinder Lights are engineered and produced in our Illinois manufacturing facility.

FCSL1000 Series



Ordering Information

PART NUMBER

ELV DIMMING INCLUDED

SERIES	VOLTAGE	CCT	CRI	LUMENS	FINISH	OPTIONS
FCSL1011	120V 120V only	27K 2700K white	CRI85 85 CRI	03L 35 lm FC SL1011 (3W)	BK Black	CL Clear Lens
FCSL1012		3K 3000K white		01L 10 lm FC SL1012 (3W)	BZ Bronze	BL Blue Lens
FCSL1013		35K 3500K white		02L 15 lm FC SL1013 (3W)	SL Silver	AL Amber Lens
FCSL1014		4K 4000K white		05L 50 lm FC SL1014 (3W)	WH White	AM Anti-Microbial Paint
FCSL1015				09L 76 lm FC SL1015 (3W)	CC Custom Color	HP Horizontal Position

JUNCTION BOX OPTIONS Indicate quantities on lines below.

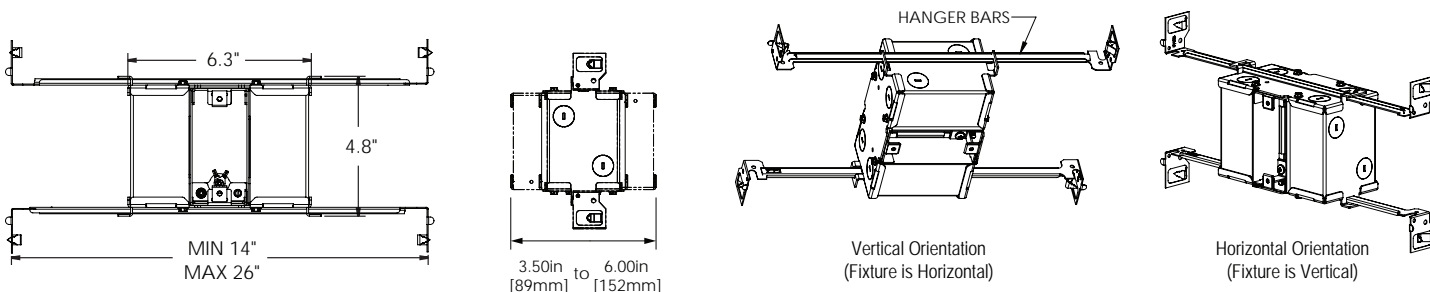
_____ **JBTW** Junction Box Thru-Wall - Double-sided, adjustable junction box. Functions in both vertical and horizontal orientations. Requires compatible conduit adapters below*

_____ **JBC-3/8** 3/8 Conduit Adapter - Sized for 3/8 trade size conduits and 0.44-0.61 OD Armored Cable (AC, MC) , 3/8 knockout

_____ **JBC-1/2** 1/2 Conduit Adapter - Sized for 1/2 trade size conduits and 0.71-0.91 OD Armored Cable (AC, MC) , 1/2 knockout

*Conduit adapters sold separately. Please order JBC-3/8 or JBC-1/2 based on your conduit size needs. 2 pcs required for thru-wiring, 1 pc required for end of run

JUNCTION BOX THRU-WALL (JBTW) DIMENSIONS - WORKS IN BOTH VERTICAL & HORIZONTAL ORIENTATIONS



Consult Factory for other options and configurations.

To ensure you receive proper configurations for your lighting specifications, contact us directly about any unique application requirements. This may include but not be limited to lumen output, mounting needs, or electrical requirements.

Due to continuous development and improvements, specifications are subject to change without notice. FC Lighting reserves the right to change lab test details or specifications without notice. Product use certifies agreement to FC Lighting terms and conditions. FCC Series Cylinder Lights are engineered and produced in our Illinois manufacturing facility.

US Commercial Lighting Manufacturer Since 1982

© FC Lighting 3609 Swenson Ave. • St. Charles, IL • 60174 | fcighting.com | 800.900.1730

Specification Sheet

TG-JF-012022

Dimensions

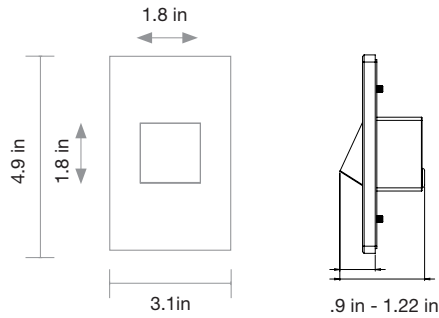
FCSL1000 Series



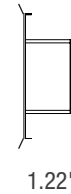
PRODUCT DIMENSIONS - FCSL1011 (hood) MOUNTING - ALL MODELS *j-box sold by others*

width x height	3.1" W x 4.9" H
surface depth FCSL1011	.9" D

width x height	1.8" W x 1.8" H
back box depth	.122" D



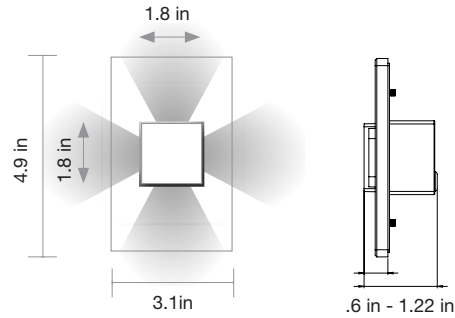
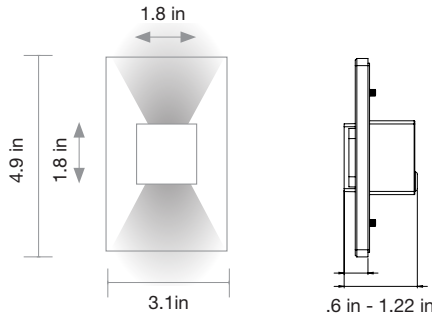
back box mounts inside surface: faceplate attaches to mounting cleat flush to surface - see installation instructions for proper mounting directions



PRODUCT DIMENSIONS - FCSL1012 (2 window indirect) PRODUCT DIMENSIONS - FCSL1013 (4 window indirect)

width x height	3.1" W x 4.9" H
surface depth FCSL1012	.6" D

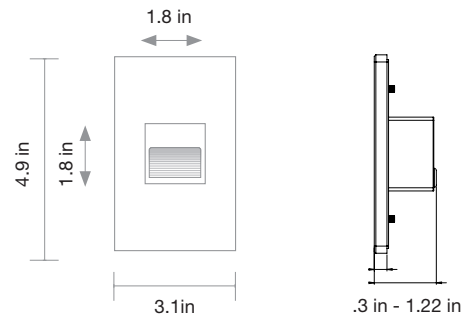
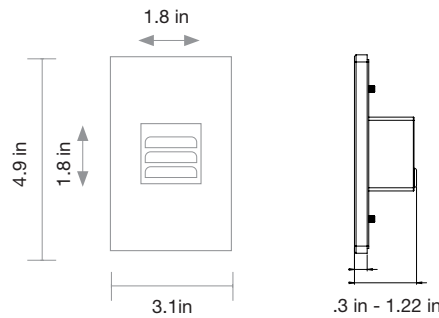
width x height	3.1" W x 4.9" H
surface depth FCSL1013	.6" D



PRODUCT DIMENSIONS - FCSL1014 (louvered) PRODUCT DIMENSIONS - FCSL1015 (recessed cut-off)

width x height	3.1" W x 4.9" H
surface depth FCSL1014	.3" D

width x height	3.1" W x 4.9" H
surface depth FCSL1015	.3" D



Due to continuous development and improvements, specifications are subject to change without notice. FC Lighting reserves the right to change lab test details or specifications without notice. Product use certifies agreement to FC Lighting terms and conditions. FCC Series Cylinder Lights are engineered and produced in our Illinois manufacturing facility.



ENTRA™ 3" LED

REMODEL ADJUSTABLE DOWNLIGHT & WALL WASH

The ENTRA 3" Remodel Adjustable LED downlight offers a cost-effective alternative to meet residential and commercial specifications on budget-sensitive projects. Custom engineered for high performance and reliability, ENTRA is easy to configure with a complete feature set that offers flexibility without an overwhelming list of options. ENTRA LED modules are available in High or Low Output, with 4 color temperatures and include 20°, 40°, and 65° interchangeable optics with hot-aiming (30° tilt; 359° rotation). Flanged or Flangeless (includes mud plate), Round or Square, Flat or Beveled die-cast trims in Black, Silver and a paintable White finish.



3" REMODEL ADJUSTABLE

- Hot-aiming (30° tilt; 359° rotation)
- Flanged or Flangeless ceiling appearance
- 20°, 40°, and 65° interchangeable optics (all included)
- Accepts 2 optical controls
- Warm Color Dimming 3000K-1800K
- 3-step color binning

LUMEN MULTIPLIER (CRI/CCT)

CCT	90 CRI MULTIPLIER
2700K	0.95
3000K	1.00
3500K	1.05
4000K	1.07

SPECIFICATIONS

	HIGH OUTPUT	LOW OUTPUT	WARM DIM	
			HIGH OUTPUT	LOW OUTPUT
DELIVERED LUMENS	1311	980	925	715
WATTS	18	12	18	12
EFFICACY	73	82	49	59
CRI	90			
CBCP (AT 3000K)	20° - 4,994 40° - 2,544 65° - 1,091			
CCT	2700K, 3000K, 3500K, or 4000K		3000K - 1800K	
COLOR CONSISTENCY	3-step			
VOLTAGE	Universal 120V or 277V			
DIMMING ¹	Standard reverse-phase, forward-phase, TRIAC, and 0-10V dimming (down to 5%)			
POWER SUPPLY	Constant current driver with +.9 power factor and >87% efficiency			
OPTICS	20°, 40°, and 65° (all included)			
ADJUSTABILITY	0-30° tilt, 359° rotation			
CEILING APPEARANCE	Flanged or Flangeless			
CEILING THICKNESS	Flanged or Flangeless: 1/2" to 1"			
CEILING APERTURE	4" ceiling cutout			
HOUSING	Non-IC			
CONSTRUCTION	Trim: Die-Cast Aluminum			
FINISH	Housing: Black Powder Coat Trim: Black, Silver, White (paintable)			
GENERAL LISTINGS	ETL listed. Damp listed. Shower version Wet listed.			
L70	50,000 hours min			
WARRANTY ²	5 years			

Data in chart reflect 3000K/90 CRI values unless noted.

Ordering grids available on page 2.

Accepts two optical controls and an optional trim-mounted lens.

¹See ELEMENT-Lighting.com for dimmer compatibility.

²Visit ELEMENT-Lighting.com for specific warranty limitations and details.

©2022 Tech Lighting, L.L.C. All rights reserved. The Tech Lighting logo is a registered trademark of Tech Lighting. Tech Lighting reserves the right to change specifications for product improvements without notification.

UPDATED 3/17/22



ENTRA™ 3" LED

REMODEL ADJUSTABLE DOWNLIGHT & WALL WASH

ORDERING GRIDS

HOUSING

PRODUCT	LAMP	CRI	TEMPERATURE	BEAM	FUNCTION	HOUSING RATING	VOLTAGE
EN3RR ENTRA 3" ROUND REMODEL	-LH HIGH OUTPUT	9 90 CRI	27 2700K	A 20° - 40° - 65° ¹	A ADJUSTABLE ²	N NON-IC	120 VOLT (LEAVE BLANK) -277 277 VOLT
EN3SR ENTRA 3" SQUARE REMODEL	-LO LOW OUTPUT		30 3000K				
			35 3500K				
			40 4000K				
			WD WARM DIM (3000K-1800K)				
	-	9		A	A	N	

Includes an LED driver with universal input 120V-277V, dimmable by reverse-phase, forward-phase, TRIAC, or 0-10V controls.

Housing ships with plaster plate for use on Flangeless installation. Do not use plate for Flanged installs.

Trims are required and must be ordered separately.

¹A - LED module ships with 40° optic installed. Includes 20° and 65° optics as well.

²A - Adjust to 30° tilt for Wall Wash application.

TRIM

PRODUCT	CEILING APPEARANCE	STYLE	APERTURE	FINISH
EN3R ENTRA 3" ROUND	L FLANGELESS	B BEVEL	-O NO LENS	B BLACK ³
EN3S ENTRA 3" SQUARE	F FLANGED	F FLAT	-H SHOWER (SANDBLASTED LENS) ^{2,3}	S SILVER ⁴
		W WALL WASH ¹	-S SHOWER (SOLITE LENS) ^{2,4}	W WHITE (PAINTABLE)
			-W WALL WASH (LENSED) ¹	
			-	

¹W - Wall Wash style trim can only be used with Wall Wash lensed aperture (-W).

²H, S - Shower (Sandblasted lens or Solite lens) aperture requires Bevel trim (B).

³H - Sandblasted shower lens not available in Black (B).

⁴S - Solite Lens is not available in Silver (S).

LENSES / LOUVERS[†]

PRODUCT	
140MR165F	SOLITE SOFT FOCUS LENS
140MR165B	SANDBLASTED LENS
140MR16LL	LINEAR SPREAD LENS
140MR16DF	DIFFUSER SPREAD LENS
140MR16GL	CLEAR GLASS LENS
700A02-BK	EGGCRATE/HEXCELL LOUVER

[†]For additional lenses, louvers, optical controls and accessories, reference ELEMENT-Lighting.com/Products/Accessories. Lens/Louvers mounted to lamp assembly only (max 2).



ENTRA™ 3" LED

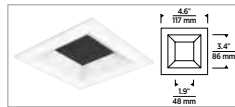
REMODEL ADJUSTABLE DOWNLIGHT & WALL WASH

TRIMS

FLANGED



ROUND BEVEL



SQUARE BEVEL

FLANGELESS



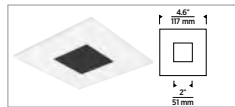
ROUND BEVEL



SQUARE BEVEL



ROUND FLAT



SQUARE FLAT



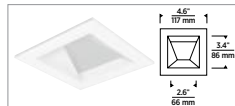
ROUND FLAT



SQUARE FLAT



ROUND WALL WASH



SQUARE WALL WASH



ROUND WALL WASH



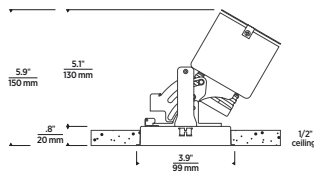
SQUARE WALL WASH

FINISH



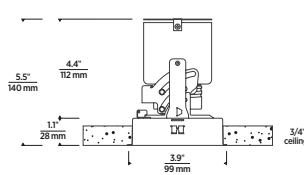
MECHANISM

ROUND



SHOWN AT FULL TILT (30°)
SHOW WITH SHORT COLLAR:
ACCOMMODATES 1/2" - 5/8" CEILING HEIGHTS

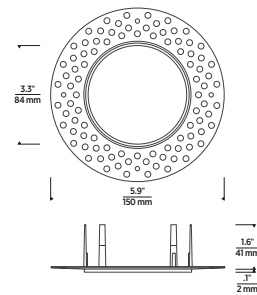
SQUARE



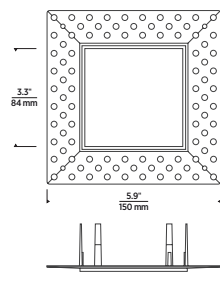
SHOWN AT NO TILT (0°)
SHOW WITH TALL COLLAR:
ACCOMMODATES 3/4" - 1" CEILING HEIGHTS

SHIPS WITH A SHORT COLLAR AND A TALL COLLAR TO ACCOMMODATE DIFFERENT CEILING HEIGHTS

MUD/PLASTER PLATE

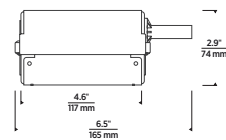


ROUND MUD/PLASTER PLATE
(INCLUDED FOR FLANGELESS INSTALLATION)



SQUARE MUD/PLASTER PLATE
(INCLUDED FOR FLANGELESS INSTALLATION)

DRIVER



©2022 Tech Lighting, L.L.C. All rights reserved. The Tech Lighting logo is a registered trademark of Tech Lighting. Tech Lighting reserves the right to change specifications for product improvements without notification.



ENTRA™ 3" LED

REMODEL ADJUSTABLE DOWNLIGHT & WALL WASH

PHOTOMETRICS

Description: 3" LED Module
20° Beam - 0° Tilt, 3000K
Model: ENTRA Adjustable 20°
Low Output
Input Power (Watts): 11.9
Input Power Factor: 0.98
Absolute Luminous Flux (Lumens): 950
Lumen Efficacy (Lumens per Watt): 80

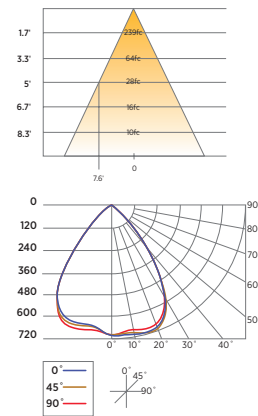
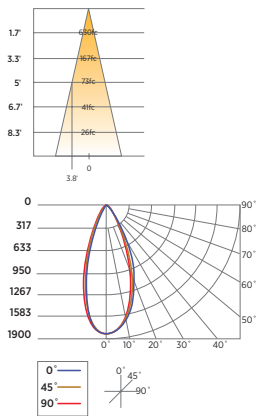
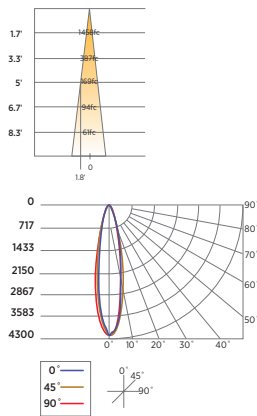
Description: 3" LED Module
40° Beam - 0° Tilt, 3000K
Model: ENTRA Adjustable 40°
Low Output
Input Power (Watts): 11.9
Input Power Factor: 0.98
Absolute Luminous Flux (Lumens): 979
Lumen Efficacy (Lumens per Watt): 82

Description: 3" LED Module
65° Beam - 0° Tilt, 3000K
Model: ENTRA Adjustable 65°
Low Output
Input Power (Watts): 11.9
Input Power Factor: 0.98
Absolute Luminous Flux (Lumens): 1022
Lumen Efficacy (Lumens per Watt): 86

ANGLE	0°	45°	90°
0°	4213	4213	4213
5°	3746	3797	3620
10°	2524	2562	2359
15°	1429	1454	1292
20°	770	786	670
25°	435	439	358
30°	252	251	192
35°	132	136	99
40°	65	71	51
45°	30	38	24
50°	11	20	9
55°	5	9	4
60°	2	3	2
65°	1	1	1
70°	0	1	0
75°	0	0	0
80°	0	0	0
85°	0	0	0
90°	0	0	0

ANGLE	0°	45°	90°
0°	1822	1822	1822
5°	1771	1762	1770
10°	1624	1614	1588
15°	1413	1375	1289
20°	1130	1050	916
25°	795	700	562
30°	486	422	323
35°	267	242	175
40°	120	131	81
45°	49	65	33
50°	21	29	14
55°	10	10	7
60°	3	4	2
65°	0	2	0
70°	0	0	0
75°	0	0	0
80°	0	0	0
85°	0	0	0
90°	0	0	0

ANGLE	0°	45°	90°
0°	691	691	691
5°	701	691	680
10°	703	696	677
15°	708	707	686
20°	698	706	683
25°	658	667	647
30°	568	580	563
35°	436	449	436
40°	275	296	285
45°	145	161	150
50°	68	72	67
55°	28	30	28
60°	3	13	5
65°	0	3	0
70°	0	0	0
75°	0	0	0
80°	0	0	0
85°	0	0	0
90°	0	0	0



©2022 Tech Lighting, L.L.C. All rights reserved. The Tech Lighting logo is a registered trademark of Tech Lighting. Tech Lighting reserves the right to change specifications for product improvements without notification.





ENTRA™ 3" LED

REMODEL ADJUSTABLE DOWNLIGHT & WALL WASH

PHOTOMETRICS

Description: 3" LED Module
20° Beam - 0° Tilt, 3000K
Model: ENTRA Adjustable 20°
High Output
Input Power (Watts): 18.3
Input Power Factor: 0.99
Absolute Luminous Flux (Lumens): 1311.9
Lumen Efficacy (Lumens per Watt): 71.4

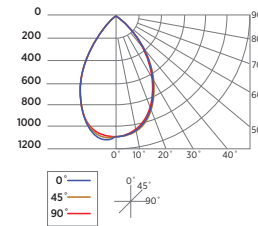
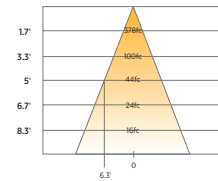
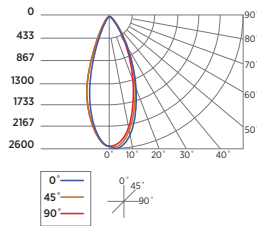
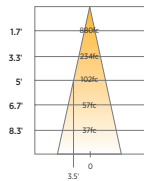
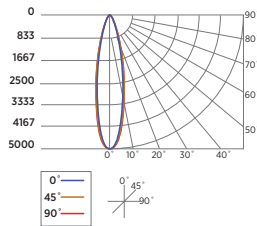
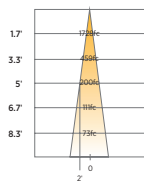
Description: 3" LED Module
40° Beam - 0° Tilt, 3000K
Model: ENTRA Adjustable 40°
High Output
Input Power (Watts): 18.3
Input Power Factor: 0.99
Absolute Luminous Flux (Lumens): 1306.1
Lumen Efficacy (Lumens per Watt): 71.1

Description: 3" LED Module
65° Beam - 0° Tilt, 3000K
Model: ENTRA Adjustable 65°
High Output
Input Power (Watts): 18.3
Input Power Factor: 0.99
Absolute Luminous Flux (Lumens): 1255
Lumen Efficacy (Lumens per Watt): 68.4

ANGLE	0°	45°	90°
0°	4994	4994	4994
5°	4241	4230	4370
10°	2808	2800	2940
15°	1686	1670	1736
20°	981	677	982
25°	570	564	546
30°	315	314	291
35°	176	178	161
40°	99	102	93
45°	56	60	53
50°	30	36	28
55°	17	20	16
60°	8	10	8
65°	2	5	1
70°	1	1	1
75°	1	1	1
80°	0	0	0
85°	0	0	0
90°	0	0	0

ANGLE	0°	45°	90°
0°	2544	2544	2544
5°	2550	2468	2426
10°	2299	2200	2134
15°	1893	1795	1711
20°	1406	1312	1217
25°	908	840	763
30°	528	492	440
35°	294	283	248
40°	155	163	136
45°	83	93	72
50°	46	52	40
55°	25	28	22
60°	10	15	8
65°	1	6	1
70°	1	1	1
75°	0	0	1
80°	0	0	0
85°	0	0	0
90°	0	0	0

ANGLE	0°	45°	90°
0°	1091	1091	1091
5°	1076	1070	1086
10°	1036	1039	1058
15°	982	985	995
20°	910	907	899
25°	811	803	774
30°	682	674	624
35°	537	525	460
40°	373	366	302
45°	234	226	179
50°	134	126	100
55°	68	65	50
60°	14	34	8
65°	1	7	1
70°	0	1	1
75°	0	1	1
80°	0	0	0
85°	0	0	0
90°	0	0	0



©2022 Tech Lighting, L.L.C. All rights reserved. The Tech Lighting logo is a registered trademark of Tech Lighting. Tech Lighting reserves the right to change specifications for product improvements without notification.





ENTRA™ 3" LED

REMODEL ADJUSTABLE DOWNLIGHT & WALL WASH

PROJECT INFORMATION

JOB NAME AND INFORMATION

FIXTURE TYPE AND QUANTITY

NOTES



7400 Linder Ave., Skokie, IL 60077
T 847.410.4400
www.techlighting.com

 ©2022 Tech Lighting, L.L.C. All rights reserved. The Tech Lighting logo is a registered trademark of Tech Lighting. Tech Lighting reserves the right to change specifications for product improvements without notification.

VISUAL COMFORT & CO.



BASELITE – SEDONA – LED – SPECIFICATION SHEET



PROJECT NAME: _____ PROJECT TYPE: _____

MODEL #	/	/	/	/	/	/	/	/	/	/	/
	A	B	C	D	E	F	G	H	I	J	K
EXAMPLE:	CS16	41	E16	SQ 3/4"	43	25W	3K	LDM120	PR3	GR16	44

*SKIP SECTION IF OPTION DOES NOT APPLY

NOTES:



A - SHADES

SEDONA
CS12 - 12WLED (MAX)
CSP12 - 12WLED (MAX)
CS14 - 25WLED (MAX)
CSP14 - 25WLED (MAX)
CS16 - 25WLED (MAX)
CSW16 - 25WLED (MAX)

B - FINISH OPTIONS

(SEE WEBSITE FOR SWATCH COLORS)
 (*SEE NOTES FOR LIMITATIONS*)
 14, 15, 16, 17, 18, 19, 19P, 20, 20P, 20PB,
 20SB, 21, 21P, 22, 22P, 23, 23P, 38, 39, 40,
 41, 41.5, 42, 43, 44, 45, 46, 48, 49, 50, 51,
 52, 53, 54, 55, 57, 58, 59, 60, 61, 62, 63, 64,
 65, 66, 70, 71, 72, 73, 74, 75, 76, 77, 78, 79,
 80, 81, 82, 83, 84, 85, 86, 87, 88, 89, 90, 91,
 92, 93, 94, 95, 96, 97, 98, 99, 100, MG.

C – MOUNTING OPTIONS

1/2" ARM EXTENSIONS
 E1, E2, E3, E4, B1, E16, E17

3/4" ARM EXTENSIONS
 E3A, E4A, E5, E6, E7, E8, E9,
 E10, E11, E12, E13, B15, B15S,
 E19, E20, E21, E25

E14 - CREATE YOUR OWN
 (BASELITE WILL TAKE YOUR SKETCH AND
 FABRICATE A CUSTOM ARM EXTENSION TO
 MEET YOUR NEEDS).

1/2" WALL MOUNT
 B13, WM13R, WM13X, B10, B11, B101

3/4" WALL MOUNT
 B9, B9C, B12, WM10, WM11, WM14X,
 WM15, WM35X, WM55X, WM60X,
 WM61X WM70X, WM71X

LED CORD MOUNT
 LBLC, LWHC, LTCB, LTCW, LTCHB,
 LTCHW, LTLB, LTLW, LTLB, LTLW, LRCB,
 LRCW, LRCB, LRCW, LFHB, LFHW,
 LHBLC, LHWHC, LCBLC, LCWHC

STEM MOUNT
 ST6, ST12, ST18, ST24, ST36, ST48, STXX

D – MOUNTING ADD-ONS

LED ADD-ONS
 LWTM, LSLC, LSTC

UNIVERSAL ADD-ONS
 SQ 3/4", SQ 1/2", FH 1/4", FH 3/8", TRB 1/2",
 SWL, LGSWL, CNK, INB, RINB

E – MOUNTING COLOR

SEE SECTION "B" FOR COLOR OPTIONS.

F – LIGHT SOURCE

(SEE PAGE 4 FOR WATTAGE LIMITATIONS)
LIGHT EMITTED DIODE (LED)
 12W, 25W

G – LED COLOR TEMP

27K – 2700 K
 3K – 3000 K
 35K – 3500 K
 4K – 4000 K
 5K – 5000 K

H – ELECTRICAL OPTION

(SEE PAGE 4 FOR DIMMING OPTION SPECIFICATIONS)
LDM120
LDM277
LDM0-10

I – GLASS OPTIONS

CL3, CL4, CLT3, CLT4, BL3, BL4, RE3, RE4,
 GR3, GR4, AH3, AH4, FR3, FR4, FRT3, FRT4,
 PR3, PR4, BA, BAX, BAF, PR8, PR8F, FN, OC

J – ACCESSORIES

GR12, GR14, GR16, REF, UGR, LGR12, LGR14,
 LGR16, CRL12, CRL14, CRL16, FLE12, FLE14,
 FLE16, FGR12, FGR14, FGR16, GU-1, GU-2,
 WG-1, WG-2

K – ACCESSORY COLOR

SEE SECTION "B" FOR COLOR OPTIONS.

NOTES

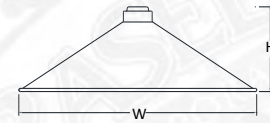
- (1). FINISH OPTIONS 75, 76, 77, 83, 84, 88, 93 AND 98 ARE APPLIED BY HAND. THESE FINISHES WILL VARY IN CONSISTENCY.
 - (2). FINISH OPTIONS 38, 39, 40, 49, 54, 57, 58, 61, 62, 63, 70, 71, 72, 73, 78, 83, 84, 88, 92, 93, 98 ONLY AVAILABLE INSIDE AND OUT OF FIXTURE. OTHER FINISHES ARE WHITE INSIDE.
 - (3). FINISH OPTIONS FOR SHADES ≤ 10" IN DIAMETER ARE THE SAME INSIDE AND OUT OF FIXTURE. SHADES > 10" IN DIAMETER ARE WHITE ON THE INSIDE.
 - (4). FINISH OPTIONS 61, 62, 70, 71, 72, 73 ARE FINISHED WITH A SUPERCHROME ON THE INSIDE FOR ALL LED LIGHT SOURCE OPTIONS.
 - (5). COLOR CORDS ARE NOT APPLICABLE FOR LED OPTIONS.
- *ALL ARMS COME WITH A CAST BACKPLATE (CB1/2", CB3/4", LWTM, CFWTM, ECT.).
- *ACCORDING TO THE LIGHT SOURCE THE BACKPLATE MAY VARY IN SIZE. (EXAMPLE: LED LIGHT SOURCE WILL HAVE A DEEPER BACKPLATE TO HOUSE THE DRIVER).
- *ALL FIXTURES MOUNT TO A 4-0 JUNCTION BOX.
- *FIXTURE DIMENSIONS MAY VARY ± 0.25.
- *CORD AND CANOPY COME IN THE SAME COLOR.



CS12 H-7" W-12"
CS14 H-8.5" W-14"
CS16 H-8.5" W-16"



CSP12 H-7" W-12"
CSP14 H-8.5" W-14"



CSW16 H-5" W-16"

EX2
EX7



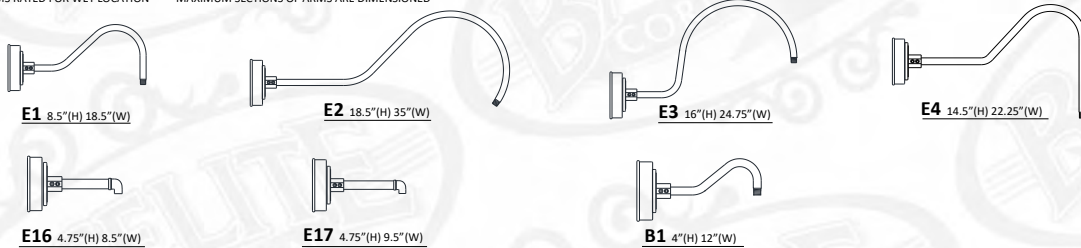
BASELITE RLM CATALOG

PROJECT NAME: _____
PROJECT TYPE: _____

C - MOUNTING OPTIONS

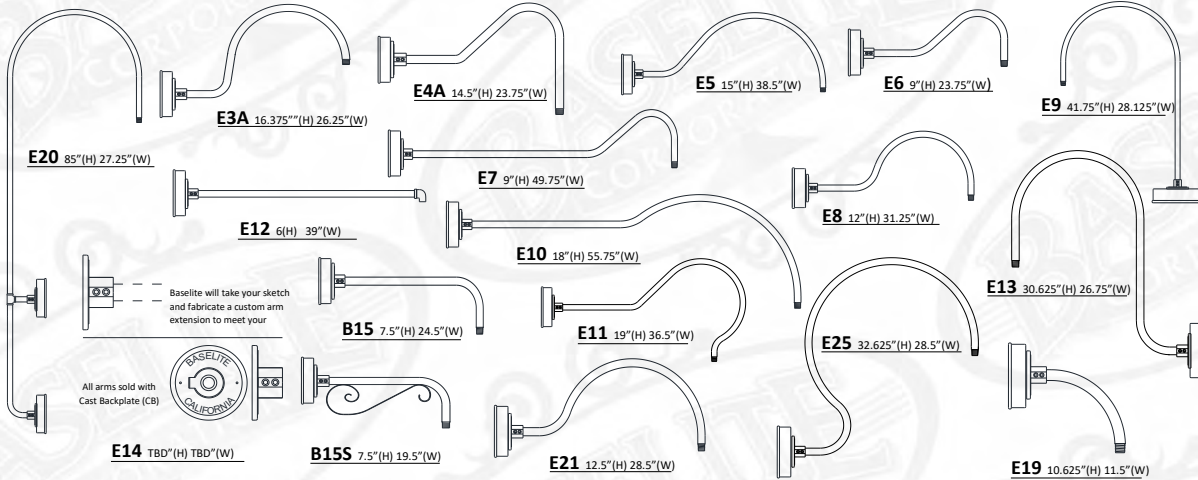
1/2" ARM EXTENSIONS

*ARMS RATED FOR WET LOCATION * MAXIMUM SECTIONS OF ARMS ARE DIMENSIONED



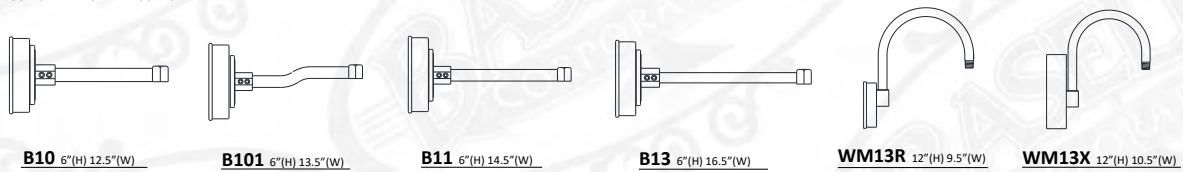
3/4" ARM EXTENSIONS

*ARMS RATED FOR WET LOCATION * MAXIMUM SECTIONS OF ARMS ARE DIMENSIONED



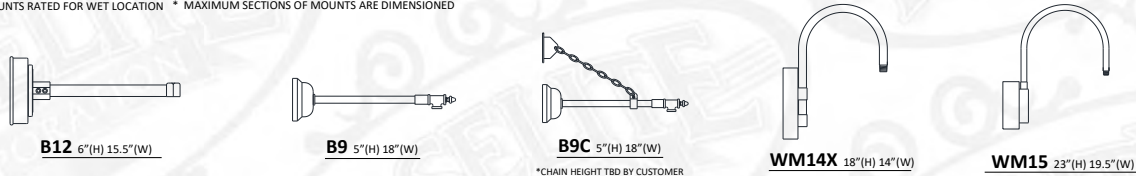
1/2" WALL MOUNTS

*MOUNTS RATED FOR WET LOCATION * MAXIMUM SECTIONS OF MOUNTS ARE DIMENSIONED



3/4" WALL MOUNTS

*MOUNTS RATED FOR WET LOCATION * MAXIMUM SECTIONS OF MOUNTS ARE DIMENSIONED



EX2
EX7



BASELITE RLM CATALOG

PROJECT NAME: _____
PROJECT TYPE: _____

C - MOUNTING OPTIONS (CONTINUED)

3/4" WALL MOUNTS

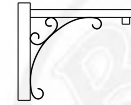
*MOUNTS RATED FOR WET LOCATION * MAXIMUM SECTIONS OF MOUNTS ARE DIMENSIONED



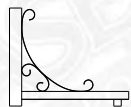
WM35X 26"(H) 22"(W)



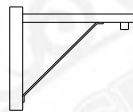
WM55X 19"(H) 27"(W)



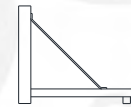
WM60X 18"(H) 22"(W)



WM61X 18"(H) 22"(W)



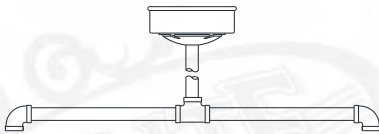
WM70X 18"(H) 22"(W)



WM71X 18"(H) 22"(W)

STEM MOUNTS

*STEMS RATED FOR DAMP LOCATION



DP24 DOUBLE PENDANT 20"(H) 24"(W)
*DP24 COMES STANDARD WITH LSTC AND ST18



ST(XX) STEM- 1/2" NPT

XX = LENGTH OF STEM
(EXAMPLE - "ST18" = STEM MOUNT 18" LENGTH)
*CANOPY NOT INCLUDED, ADD IN SECTION D
* 1/4" NPT AND 3/4" NPT AVAILABLE UPON REQUEST



SC24 SCROLL STEM 33"(H) 26"(W)
*SC24 COMES STANDARD WITH LSTC

LED CORD MOUNTS

*FOR LED & COMPACT FLOURESCENT OPTIONS, CANOPIES WILL VARY IN SIZE DUE TO SIZE OF THE DRIVER/BALLAST THAT WILL BE LOCATED INSIDE OF THE CANOPY.
*CORDS RATED FOR DRY LOCATION *CANOPY DIMENSIONS: 3" (H) 6" (W) *CORD AND CANOPY COME IN THE SAME COLOR.



LBLC 8' BLACK CORD
LWHC 8' WHITE CORD



LTCB 8' BLACK CORD, CABLE, and LOOP
LTCW 8' WHITE CORD, CABLE, and LOOP



LTCHB 8' BLACK CORD, 3" CHAIN, and LOOP
LTCHW 8' WHITE CORD, 3" CHAIN, and LOOP



LTLB 8' BLACK TELEPHONE CORD AND CABLE
LTLW 8' WHITE TELEPHONE CORD AND CABLE
* Not available with compact fluorescent



LRCB 8' BLACK CORD, CABLE, and LOOP
LRCW 8' WHITE CORD, CABLE, and LOOP



LRCHB 8' BLACK CORD, 3" CHAIN, and LOOP
LRCHW 8' WHITE CORD, 3" CHAIN, and LOOP



LFHB 8' BLACK CORD WITH FLAT HUB
LFHW 8' WHITE CORD WITH FLAT HUB



LCBLC 8' BLACK CORD and CABLE
LCWHC 8' WHITE CORD and CABLE

NOTES:
*DISTANCE TO LAMP (CF) 10'
*All compact fluorescent and LED housings may vary in size according to light source chosen.



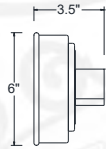
BASELITE RLM CATALOG

PROJECT NAME: _____
PROJECT TYPE: _____

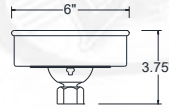
D - MOUNTING ADD-ONS

LED - STEM AND ARM ADD-ONS

* FOR LED & COMPACT FLUORESCENT OPTIONS, CANOPIES WILL VARY IN SIZE DUE TO SIZE OF THE DRIVER/BALLAST THAT WILL BE LOCATED INSIDE OF THE CANOPY.



LWTM WEATHERTIGHT LED WALL MOUNT



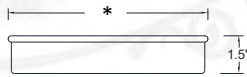
LSLC LED SLOPE CEILING CANOPY



LSTC LED STEM MOUNT CANOPY

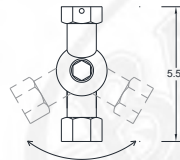
UNIVERSAL STEM AND ARM ADD-ONS

* EXAMPLE FOR MULTIPLE MOUNTING ADD-ONS:

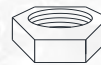


CNK CANOPY For MULTIPLE FIXTURES

*CNK dimensions vary on number of fixtures applied



LGSWL 1/2" NPT SWIVEL
For all shades greater than 7" wide in diameter



FH 1/2" FLAT HUB 1/2"
FH 3/4" FLAT HUB 3/4"



TRB 1/2"-4' Cable SUPPORT
TRB 3/4"-4' Cable SUPPORT

F - LIGHT SOURCE

BASELITE'S PUBLISHED LUMINAIRE PHOTOMETRIC TESTING WAS PERFORMED IN A 3-METER INTEGRATING SPHERE USING THE 4TT GEOMETRY METHOD. DATA IS CONSIDERED TO BE REPRESENTATIVE OF THE CONFIGURATIONS SHOWN, WITHIN THE TOLERANCES ALLOWED BY LIGHTING FACTS. TO OBTAIN AN IES FILE SPECIFIC TO YOUR PROJECT, PLEASE CONTACT THE FACTORY.

LIGHT EMITTING DIODE (LED)						
LED 12W (MAX)- CS12, CSP12			*IMPORTANT – FOR LIGHT EMITTED DIODE (LED) LIGHT SOURCE OPTION FIXTURES ARE LIMITED DUE TO SIZE OF THE FIXTURE AND THE CORD WATTAGE RESTRICTIONS. PLEASE SEE AVAILABILITY CHART TO THE LEFT. EXAMPLE: / LED25W /			
LED 25W (MAX)- CS14, CSP14, CS16, CSW16						
OPTION	WATTAGE	LUMENS	CRI	VOLTAGE	DIMMING	
LED12W	12W	1000 1200	>90	120-277 VAC	See section "H"	
LED25W	25W	1900 2000	>90	120-277 VAC	See section "H"	
		@3000K @5000K				

H - ELECTRICAL OPTION

MOST BASELITE'S ELECTRICAL OPTIONS ARE ONLY COMPATIBLE FOR CERTAIN FIXTURES. PLEASE SEE NOTES BELOW AND FOR FURTHER DEATIALS CONTACT THE FACTORY. FOR DIMMING BALLAST OPTION PLEASE CHOOSE MARK X OR MARK VII, SO RESTRICTIONS APPLY DUE TO THE SIZE OF THE BALLAST AND FIXTURE.

LED DIMMING OPTIONS
FOR TRIAC OR 0-10V OPTOIN CHOOSE FROM THE FOLLOWING. CONTACT DRIVER MANUFACTURER FOR SPECIFICATIONS.
LDM120 - TRIAC DIMMING AT 120 VOLT
LDM277 - TRIAC DIMMING AT 277 VOLT
LDM0-10V - 0 - 10v

EX2
EX7



BASELITE RLM CATALOG

PROJECT NAME: _____
PROJECT TYPE: _____

I – GLASS OPTIONS

*NOTE: MUST USE TEMPERED GLASS FOR LIGHT FIXTURES USING HIGH INTENSITY DISCHARGE (HID) LIGHT SOURCE OPTION.

CL3 3" CLEAR GLASS	PR3 3" PRISMATIC GLASS	RE3 3" RED GLASS	BL3 3" BLUE GLASS
CL4 4" CLEAR GLASS	PR4 4" PRISMATIC GLASS	RE4 4" RED GLASS	BL4 4" BLUE GLASS
CLT3 3" CLEAR TEMPERED			
CLT4 4" CLEAR TEMPERED			
FR3 3" FROSTED GLASS	AH3 3" AMBER HYDE GLASS	GR3 3" GREEN GLASS	
FR4 4" FROSTED GLASS	AH4 4" AMBER HYDE GLASS	GR4 4" GREEN GLASS	
FRT3 3" FROSTED TEMPERED			
FRT4 4" FROSTED TEMPERED			

GLASS – MAX WATTAGE
3" GLASS – 100W INC / LED12W
4" GLASS – 200W INC / LED25W

GLASS – DIMENSIONS	
3" GLASS	
Diameter	3.34"
Height	6.93"
Fitter	3.29"
4" GLASS	
Diameter	4.34"
Height	8.37"
Fitter	4.29"

BA6 6" OPAL BALL (100W INC MAX/LED12W)	BAX9 9" CLEAR GLOBE BAF9 9" FROSTED GLOBE (200W INC MAX/LED25W)	FN8 8" CLEAR TEXTURED GLOBE (150W INC MAX/LED25W)
BA7 7" CLEAR GLOBE BA7F 7" FROSTED GLOBE (100W INC MAX/LED25W)	PR8 8" PRISMATIC PR8F 8" PRISMATIC FROSTED (200W INC MAX/LED45W)	OC8 8" OPAL TAPERED GLOBE (60W INC MAX/LED25W)

J – ACCESSORIES

GR12 12" WIRE GRILL	LGR12 12" LOUVERED GRILL	FGR12 12" FLAT GRILL	CRL12 12" CURVED POLYCARB LENSE	FLE12 12" FLAT CLEAR LENSE
GR14 14" WIRE GRILL	LGR14 14" LOUVERED GRILL	FGR14 14" FLAT GRILL	CRL14 14" CURVED POLYCARB LENSE	FLE14 14" FLAT CLEAR LENSE
GR16 16" WIRE GRILL	LGR16 16" LOUVERED GRILL	FGR16 16" FLAT GRILL	CRL16 16" CURVED POLYCARB LENSE	FLE16 16" FLAT CLEAR LENSE

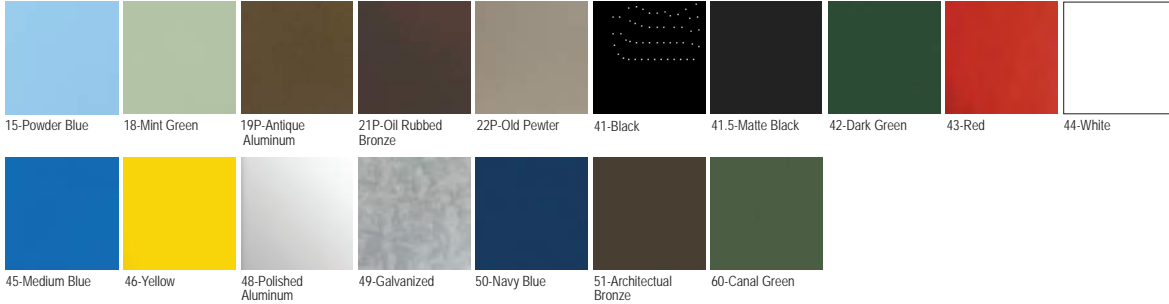
REF 9.5" DIAMETER REFRACTOR	UGR U- WIRE GUARD	WG-1 WIRE GUARD	WG-2 WIRE GUARD Available for shades 12" or higher	GU-1 CAST ALUMINUM GUARD	GU-2 CAST GUARD Available for shades 12" or higher





POWDER COAT & METAL FINISH OPTIONS

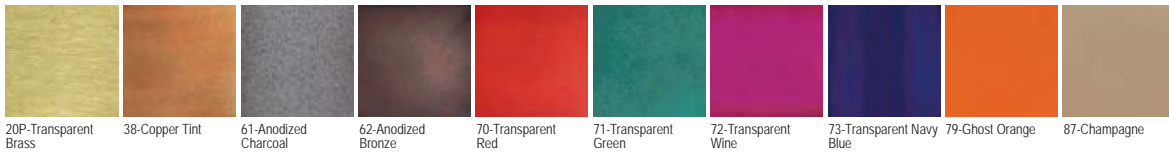
BASIC POWDER COAT



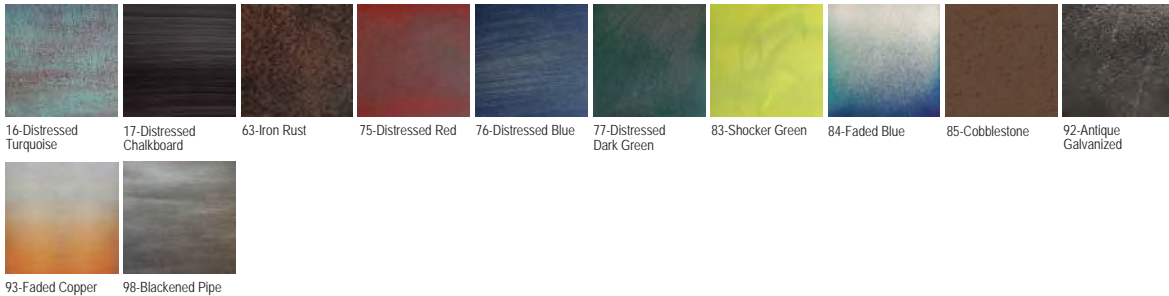
BASIC UPGRADED POWDER COAT



TWO - COAT POWDER COAT



SPECIALTY POWDER COAT



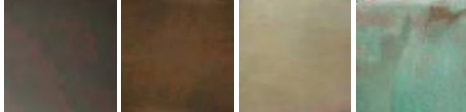
EX2
EX7



POWDER COAT & METAL FINISH OPTIONS

ACID DIP

- Acid finishes are applied by hand and consistency will vary on each application.



19(A)-Antique Aluminum

21(A)-Oil Rubbed Bronze

22(A)-Old Pewter

23(A)-Old Copper Pewter

METAL FINISH



14PN-Polished Nickel

20-Raw Brass

20SB-Satin Brass

20PB-Polished Brass

39-Raw Copper

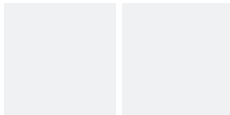
40-Copper with Clear Coat

57-Polished Alum. Clear Coat

88-Satin Aluminum

ADDITIONAL TOP COAT

- Ghost matte and Marine grade clear coats are an additional cost and will change the appearance of the bottom powder coat color.



G - Ghost Matte Clear Coat

MG - Marine Grade Clear Coat

SPECIFICATIONS

- Finish options that are the same color inside and out of the shade - 19(A), 20, 20PB, 20SB, 20P, 21(A), 22(A), 23(A), 38, 39, 40, 48, 49, 54, 57, 58, 61, 62, 63, 64, 65, 66, 70, 71, 72, 73, 78, 83, 84, 88, 92, 93, 98
- Finish options with a white powder coat inside of the shade - 14, 18, 19P, 21P, 22P, 41, 41.5, 42, 43, 44, 45, 46, 50, 51, 52, 53, 55, 59, 60, 74, 75, 76, 77, 79, 80, 81, 82, 85, 86, 87, 89, 90, 91, 94, 95, 96, 97, 99, 100
- All fixtures 10" and smaller come with the same color inside and out of the shade.
- Finish option 88 is only available with certain shades, call for further information.
- All finish options except "basic" and "basic upgrade" are considered premium finish options and lead times will be longer.
- Finish options - 59, 61, 62, 70, 71, 72, 72 are all finished with superchrome on the inside of the shade when LED light source is selected.
- These color swatches are representative only and may vary in color and texture
- G & MG - ghost matte and marine grade top coats can be applied to any finish and is an additional fee.

EX2
EX7

PITCH SINGLE WALL SCONCE



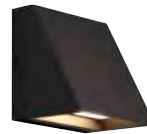
An architectural profile reminiscent of beautifully classic roof lines delivers significant light output in this modern LED wall sconce suitable for both indoor and outdoor applications. The Pitch Single's die-cast metal body houses powerful LED light sources that create visual appeal as light cascades down along a wall.

Outstanding protection against the elements:

- Powder coat finishes
- Stainless Steel mounting hardware
- Impact-resistant, UV stabilized frosted acrylic lensing

SPECIFICATIONS

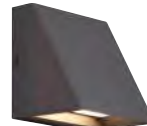
DELIVERED LUMENS	822.6
WATTS	26.2
VOLTAGE	120V, 277V
DIMMING	ELV
LIGHT DISTRIBUTION	Symmetric
MOUNTING OPTIONS	Downlight or Uplight ¹
CCT	2700K, 3000K
CRI	90
COLOR BINNING	3 Step
BUG RATING	B1-U0-G0
DARK SKY	Compliant (Downlight)
WET LISTED	IP65
GENERAL LISTING	ETL
CALIFORNIA TITLE 24	Can be used to comply with CEC 2019 Title 24 Part 6 for outdoor use. Registration with CEC Appliance Database not required.
START TEMP	-30°C
FIELD SERVICEABLE LED	No
CONSTRUCTION	Aluminum
HARDWARE	Stainless Steel
FINISH	Powder Coat
LED LIFETIME	L70; >60,000 Hours
WARRANTY*	5 Years
WEIGHT	1.2 lbs.



PITCH SINGLE shown in black



PITCH SINGLE shown in bronze



PITCH SINGLE shown in charcoal



PITCH SINGLE shown in silver

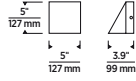
*Visit techlighting.com for specific warranty limitations and details.

¹Mount uplight in dry location only. Downlight may be mounted in wet or dry location.

ORDERING INFORMATION

PRODUCT	SIZE	FINISH	LAMP
700WSPIT	S SINGLE	B BLACK	-LED827 LED 80 CRI, 2700K 120V
		Z BRONZE	-LED827277 LED 80 CRI, 2700K 277V
		H CHARCOAL	-LED830 LED 80 CRI, 3000K 120V
		I SILVER	-LED830277 LED 80 CRI, 3000K 277V

PITCH SINGLE WALL SCONCE

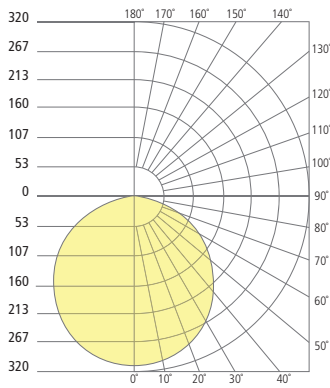


Pitch Single

PHOTOMETRICS*

*For latest photometrics, please visit www.techlighting.com/OUTDOOR

PITCH SINGLE
 Total Lumen Output: 822.6
 Total Power: 26.2
 Luminaire Efficacy: 31.4
 Color Temp: 3000K
 CRI: 80+
 BUG Rating: B1-U0-G0



PROJECT INFO

FIXTURE TYPE & QUANTITY	JOB NAME & INFO	NOTES



VISUAL COMFORT & CO.

7400 Linder Avenue, Skokie, Illinois 60077
T 847.410.4400

© 2021 Tech Lighting, L.L.C. All rights reserved. The "Tech Lighting" graphic is a registered trademark. Tech Lighting reserves the right to change specifications for product improvements without notification.

techlighting.com

EX3



NUVI DECK SCONCE

15222BZ

NUVI SQUARE DECK SCONCE

NUVI offers exceptional 12v LED horizontal illumination due to its innovative composite optic technology. Constructed of durable, solid vinyl alloy NUVI is fit for harsh environments, offering resiliency and long-life. A diverse range of application options and easy installation ensure maximum flexibility. ETL rated for indoor/outdoor use.

DETAILS	
FINISH:	Bronze
MATERIAL:	Vinyl Alloy

DIMENSIONS	
WIDTH:	3"
HEIGHT:	3"
BACK PLATE:	3" Sq.
EXTENSION:	1"

LIGHT SOURCE	
LIGHT SOURCE:	Integrated LED
LED NAME:	ENX1
WATTAGE:	1.20w LED *Included
VOLTAGE:	12v
COLOR TEMP:	2700
LUMENS:	100
CRI:	80
INCANDESCENT EQUIVALENCY:	1 x 20w
DIMMABLE:	Yes - MLV On Transformer Primary
TRANSFORMER REQUIRED:	Yes

MOUNTING	
LEAD WIRE:	1 X 60"

SHIPPING	
CARTON LENGTH:	2.5
CARTON WIDTH:	3.5
CARTON HEIGHT:	3.5
CARTON WEIGHT:	1

PRODUCT DETAILS:

- Mounts flush on a surface
- Suitable for use in wet (outdoor direct rain or sprinkler) locations as defined by NEC and CEC. Meets United States UL Underwriters Laboratories & CSA Canadian Standards Association Product Safety Standards
- Rated for both indoor and outdoor use
- Fixture is ADA compliant and adheres to the standards and guidelines listed by the Americans with Disabilities Act
- A wiring kit is supplied.
- Easy and efficient installation: fewer fixtures illuminate a more extensive area, offering a diverse range of mounting opportunities.
- LED integrated components carry a 10-year limited warranty
- Nuvi Series products carry a lifetime limited warranty

HINKLEY

HINKLEY
33000 Pin Oak Parkway
Avon Lake, OH 44012

PHONE: (440) 653-5500
Toll Free: 1 (800) 446-5539

hinkley.com

SLIM12Y





12, 18 and 26 Watt SLIM wall packs are ultra efficient and deliver impressive light distribution with a compact low-profile design that's super easy to install as a downlight or uplight.

Color: Bronze Weight: 4.1 lbs

Project:	Type:
Prepared By:	Date:

Driver Info		LED Info	
Type	Constant Current	Watts	12W
120V	0.12A	Color Temp	3000K (Warm)
208V	0.08A	Color Accuracy	71 CRI
240V	0.07A	L70 Lifespan	100,000 Hours
277V	0.06A	Lumens	1,915
Input Watts	15.9W	Efficacy	120.4 lm/W

Technical Specifications

<p>Compliance</p> <p>UL Listed: Suitable for wet locations. Suitable for mounting within 1.2m (4ft) of the ground.</p> <p>ADA Compliant: SLIM™ is ADA Compliant</p> <p>IESNA LM-79 & LM-80 Testing: RAB LED luminaires and LED components have been tested by an independent laboratory in accordance with IESNA LM-79 and LM-80.</p> <p>DLC Listed: This product is on the Design Lights Consortium (DLC) Qualified Products List and is eligible for rebates from DLC Member Utilities. DLC Product Code: P0000171L</p> <p>Construction</p> <p>IP Rating: Ingress protection rating of IP66 for dust and water</p>	<p>Cold Weather Starting: The minimum starting temperature is -40°C (-40°F)</p> <p>Maximum Ambient Temperature: Suitable for use in up to 40°C (104°F)</p> <p>Housing: Precision die-cast aluminum housing</p> <p>Mounting: Heavy-duty mounting bracket with hinged housing for easy installation</p> <p>Recommended Mounting Height: Up to 8 ft</p>	<p>Lens: Tempered glass lens</p> <p>Reflector: Specular thermoplastic</p> <p>Gaskets: High-temperature silicone</p> <p>Finish: Formulated for high durability and long-lasting color</p>
---	---	--

EX5

SLIM12Y



Technical Specifications (continued)

Construction

Green Technology:

Mercury and UV free. RoHS-compliant components.

LED Characteristics

LED:

Multi-chip, long-life LED

Color Consistency:

3-step MacAdam Ellipse binning to achieve consistent fixture-to-fixture color

Color Stability:

LED color temperature is warranted to shift no more than 200K in color temperature over a 5-year period

Color Uniformity:

RAB's range of Correlated Color Temperature follows the guidelines for the American National Standard for Specifications for the Chromaticity of Solid State Lighting (SSL) Products, ANSI C78.377-2017.

Performance

Lifespan:

100,000-Hour LED lifespan based on IES LM-80 results and TM-21 calculations

Other

Equivalency:

Equivalent to 70W Metal Halide

Patents:

The design of the SLIM™ is protected by patents in U.S. Pat D681,864, and pending patents in Canada, China, Taiwan and Mexico.

HID Replacement Range:

Replaces 70W Metal Halide

Warranty:

RAB warrants that our LED products will be free from defects in materials and workmanship for a period of five (5) years from the date of delivery to the end user, including coverage of light output, color stability, driver performance and fixture finish. RAB's warranty is subject to all terms and conditions found at rablighting.com/warranty.

Buy American Act Compliance:

RAB values USA manufacturing! Upon request, RAB may be able to manufacture this product to be compliant with the Buy American Act (BAA). Please contact customer service to request a quote for the product to be made BAA compliant.

Optical

BUG Rating:

B1 U0 G0

Electrical

Driver:

Constant Current, Class 2, 100-277V, 50/60 Hz, 4KV surge protection, 120V: 0.14A, 208V: 0.08A, 240V: 0.07A, 277V: 0.06A

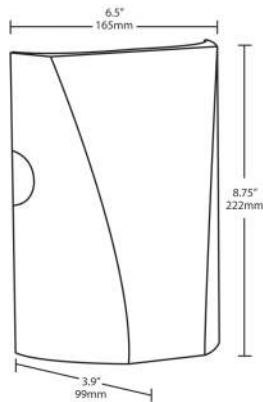
THD:

7.7% at 120V, 13.3% at 277V

Power Factor:

99.4% at 120V, 95.4% at 277V

Dimensions



Features

- Full cutoff, fully shielded LED wall pack
- Can be used as a downlight or uplight
- Contractor friendly features for easy installation
- 100,000-hour LED Life
- 5-Year, No-Compromise Warranty



SLIM12Y



Ordering Matrix

Family	Wattage	Color Temp	Finish	Driver	Options
SLIM	12	Y			

12 = 12W
18 = 18W
26 = 26W

Blank = 5000K Cool
N = 4000K Neutral
Y = 3000K Warm

Blank = Bronze
W = White

Blank = Standard (120-277V)
/D10 = Dimmable

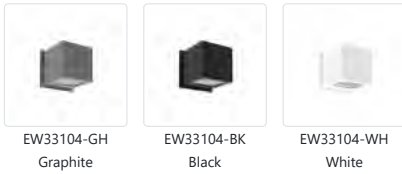
Blank = No Option
/PC = 120V Button
/PC2 = 277V Button
/LC = Lightcloud® Controller

STATO
EW33104
 WALL

PROJECT

DESCRIPTION

Architectural exterior wall sconce, die-cast cubic aluminum body with clear tempered glass cover and multi-faceted aluminum reflector maximizes light output. Optional beam angle plates can be installed to re-shape beam pattern.



EW33104-GH
Graphite

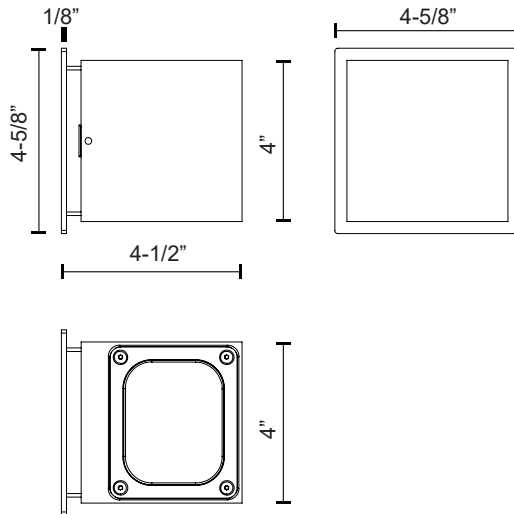
EW33104-BK
Black

EW33104-WH
White

SPECIFICATION DETAILS

* For custom options, consult factory for details.

Fixture Dimensions	W4" x H4" E4-1/2"
Light Source	LED with DC Driver
Wattage	8W
Total Lumens	840lm
Delivered Lumens	BK-420lm
Voltage	120-277V
Color Temperature	3000K
CRI (Ra)	80CRI
Optional Color Temps	2700K - 5000K Available, Minimum Order Quantities Apply
LED Rated Life	50,000 hours
Dimming	Non-Dimming
Diffuser Details	Parabolic Aluminum Reflector
Glass Details	Clear Glass
Location	Wet, IP65
Compliance	IP65
Warranty	5 Years
Illumination Direction	Downlight
Mounting Style	All Orientation; Wall,
Canopy Dimensions	W4-5/8" x H4-5/8" x E1/8"



KUZCO

19054 28TH AVENUE
 SURREY - BC V3Z 6M3
 CANADA

WWW.KUZCOLIGHTING.COM

COMMENT



6/29/22, 10:29 AM

Divergence Outdoor Pendant – Hubbardton Forge



PRODUCT SPECIFICATIONS



Divergence Outdoor Pendant

Base Item #362015
 Configured Item #362015-1007
 362015-SKT-STND-75

FINISH
 Coastal Bronze - 75

OVERALL HEIGHT
 Standard: 42.80" - 54.30"

LAMPING
 Incandescent

OPTIONS

FINISH	OVERALL HEIGHT	LAMPING
Coastal Oil Rubbed Bronze - 14	54.80" - 64.30"	Incandescent
Coastal Natural Iron - 20	42.80" - 54.30"	
Coastal Bronze - 75		
Coastal Dark Smoke - 77		
Coastal Burnished Steel - 78		
Coastal Black - 80		

SPECIFICATIONS

Divergence Outdoor Pendant

Base Item #: 362015
 Configured Item #: 362015-1007
 362015-SKT-STND-75

Adjustable outdoor pendant with finish options.

- Handcrafted to order by skilled artisans in Vermont, USA
- Lifetime Limited Warranty when installed in residential setting
- Features our robust Coastal Outdoor finish specifically formulated to resist some of the harshest environmental conditions.
- Includes adjustable stem and canopy kit

Dimensions

Height	27.80"
Diameter	54.20"
Product Weight	6.00 lbs
Overall Height	42.80" to 54.30"
Canopy	5.5" OD
Packed Weight	13.00 lbs
Shipping (DIM) Weight	118.00 lbs

Socket Lamping

Socket: Medium
 Bulb: A-19, 60W Max
 Number of Bulbs: 6 (not included)
 IES Files Available: N

Location Rating
 Outdoor Damp

Safety Rating
 UL, CUL listed

Copyright © 2022 Hubbardton Forge. All Rights Reserved. 800-826-4766 | <https://www.hubbardtonforge.com>

6/29/22, 10:28 AM

Stellar Large Outdoor Pendant/Semi-Flush – Hubbardton Forge



PRODUCT SPECIFICATIONS



Stellar Large Outdoor Pendant/Semi-Flush

Base Item #362651
Configured Item #362651-1000
362651-SKT-MULT-14-ZM0727

FINISH Coastal Oil Rubbed Bronze - 14
GLASS Clear Glass (ZM)

OVERALL HEIGHT Threaded Stem Kit: 25.50" - 59.50"
LAMPING Incandescent

OPTIONS

Table with 4 columns: FINISH, GLASS, OVERALL HEIGHT, LAMPING. Lists various finish options like Coastal Oil Rubbed Bronze, Coastal Natural Iron, etc.

SPECIFICATIONS

Stellar Large Outdoor Pendant/Semi-Flush
Base Item #: 362651
Configured Item #: 362651-1000
362651-SKT-MULT-14-ZM0727

Socket Lamping
Socket: GU10
Bulb: MR-16 reflector, 50W Max
Number of Bulbs: 1 (not included)
IES Files Available: N

Outdoor hanging pendant lantern with a clear glass shade. Features a multi-height stem kit featuring two 12" stems, one 6" stem and one 3" stem which may be combined interchangeably to customize the overall height.

Location Rating
Outdoor Damp

- Handcrafted to order by skilled artisans in Vermont, USA
Lifetime Limited Warranty when installed in residential setting
Features our robust Coastal Outdoor finish specifically formulated to resist some of the harshest environmental conditions.
Includes adjustable stem and canopy kit

Dimensions table with rows for Height, Length, Width, Product Weight, Overall Height, Canopy, Packed Weight, Shipping (DIM) Weight.

Copyright © 2022 Hubbardton Forge. All Rights Reserved. 800-826-4766 | https://www.hubbardtonforge.com





BASELITE – YARD LITE – LED – SPECIFICATION SHEET

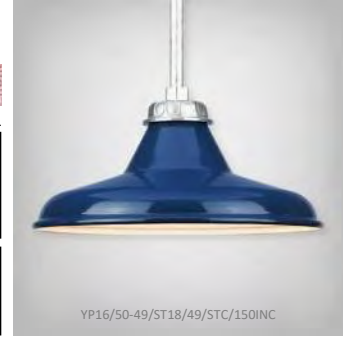


PROJECT NAME: _____ PROJECT TYPE: _____

MODEL #	A	B	C	D	E	F	G	H	I	J	K
EXAMPLE: YP14	41	E16	SQ 1/2"	43	45W	3K	LDM120	PR3	GR14	44	

*SKIP SECTION IF OPTION DOES NOT APPLY

NOTES:



A - SHADES

YARD LITES
YL14 - 25WLED (MAX)
YL16 - 25WLED (MAX)
YP14 - 25WLED (MAX)
YP16 - 25WLED (MAX)
CYP14 - 25WLED (MAX)
CYP16 - 25WLED (MAX)

B - FINISH OPTIONS

(SEE WEBSITE FOR SWATCH COLORS)
 (*SEE NOTES FOR LIMITATIONS*)
 14, 15, 16, 17, 18, 19, 19P, 20, 20P, 20PB, 20SB, 21, 21P, 22, 22P, 23, 23P, 38, 39, 40, 41, 41.5, 42, 43, 44, 45, 46, 48, 49, 50, 51, 52, 53, 54, 55, 57, 58, 59, 60, 61, 62, 63, 64, 65, 66, 70, 71, 72, 73, 74, 75, 76, 77, 78, 79, 80, 81, 82, 83, 84, 85, 86, 87, 88, 89, 90, 91, 92, 93, 94, 95, 96, 97, 98, 99, 100, MG.

C – MOUNTING OPTIONS

1/2" ARM EXTENSIONS
 E1, E2, E3, E4, B1, E16, E17
3/4" ARM EXTENSIONS
 E3A, E4A, E5, E6, E7, E8, E9, E10, E11, E12, E13, B15, B15S, E19, E20, E21, E25
E14 - CREATE YOUR OWN
 (BASELITE WILL TAKE YOUR SKETCH AND FABRICATE A CUSTOM ARM EXTENSION TO MEET YOUR NEEDS).
1/2" WALL MOUNT
 B13, WM13R, WM13X, B10, B11, B101
3/4" WALL MOUNT
 B9, B9C, B12, WM14X, WM15, WM35X, WM55X, WM60X, WM61X WM70X, WM71X
LED CORD MOUNT
 LBLC, LWHC, LTCB, LTCW, LTCHB, LTCHW, LTLB, LTLW, LTLB, LTLW, LRCB, LRCW, LRCHB, LRCHW, LFHB, LFHW, LHBLC, LHWHC, LCBLC, LCWHC
STEM MOUNT
 ST6, ST12, ST18, ST24, ST36, ST48, STXX

D – MOUNTING ADD-ONS

LED ADD-ONS
 LWTM, LSLC, LSTC
UNIVERSAL ADD-ONS
 SQ 1/2", SQ 3/4", FH 1/2", TRB 1/2", TRB 3/4", SWL, LGSWL, CNK, INB, RINB

E – MOUNTING COLOR

SEE SECTION "B" FOR COLOR OPTIONS.

F – LIGHT SOURCE

(SEE PAGE 4 FOR WATTAGE LIMITATIONS)
LIGHT EMITTED DIODE (LED)
 12W, 25W

G – LED COLOR TEMP

27K – 2700 K
 3K – 3000 K
 35K – 3500 K
 4K – 4000 K
 5K – 5000 K

H – ELECTRICAL OPTION

(SEE PAGE 4 FOR DIMMING OPTION SPECIFICATIONS)
LDM120
LDM277
LDM0-10

I – GLASS OPTIONS

CL3, CL4, CLT3, CLT4, BL3, BL4, RE3, RE4, GR3, GR4, AH3, AH4, FR3, FR4, FRT3, FRT4, PR3, PR4, BA, BAX, BAF, PR8, PR8F, FN, OC

J – ACCESSORIES

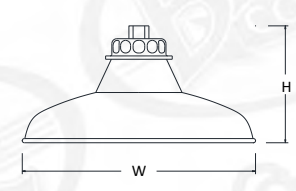
GR14, GR16, REF, UGR, LGR14, LGR16, CRL14, CRL16, FLE14, FLE16, FGR14, FGR16, GU-1, GU-2, WG-1, WG-2

K – ACCESSORY COLOR

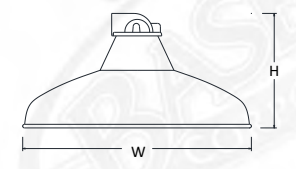
SEE SECTION "B" FOR COLOR OPTIONS.

NOTES

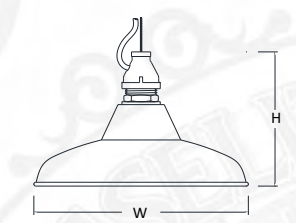
- (1). FINISH OPTIONS 20, 21, 22, 23 ARE FOR SOLID BRASS FIXTURES ONLY.
 - (2). FINISH OPTIONS 19, 21, 22, 23, 75, 76, 77, 83, 84, 88, 93 AND 98 ARE APPLIED BY HAND. THESE FINISHES WILL VARY IN CONSISTENCY.
 - (3). FINISH OPTIONS 19, 38, 39, 40, 49, 54, 57, 58, 61, 62, 63, 70, 71, 72, 73, 78, 83, 84, 88, 92, 93, 98 ONLY AVAILABLE INSIDE AND OUT OF FIXTURE. OTHER FINISHES ARE WHITE INSIDE.
 - (4). FINISH OPTIONS 61, 62, 70, 71, 72, 73 ARE FINISHED WITH A SUPERCHROME ON THE INSIDE FOR ALL LED LIGHT SOURCE OPTIONS.
 - (5). COLOR CORDS ARE NOT APPLICABLE FOR LED OPTIONS.
- *ALL ARMS COME WITH A CAST BACKPLATE (CB1/2", CB3/4", LWTM, CFWTM, ECT.).
 *ACCORDING TO THE LIGHT SOURCE THE BACKPLATE MAY VARY IN SIZE.
 (EXAMPLE: LED LIGHT SOURCE WILL HAVE A DEEPER BACKPLATE TO HOUSE THE DRIVER).
 *ALL FIXTURES MOUNT TO A 4-0 JUNCTION BOX.
 *FIXTURE DIMENSIONS MAY VARY ±0.25.
 *CORD AND CANOPY COME IN THE SAME COLOR.



YP14 H-7.5" W-14"
YP16 H-8.5" W-16"



YL14 H-7" W-14"
YL16 H-8" W-16"



CYP14 H-8.75" W-14"
CYP16 H-9.75" W-16"



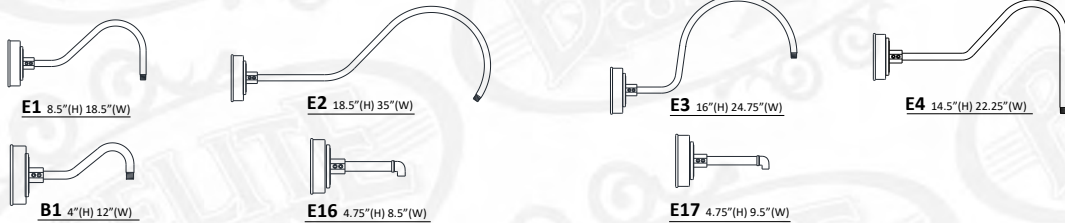
BASELITE RLM CATALOG

PROJECT NAME: _____
PROJECT TYPE: _____

C - MOUNTING OPTIONS

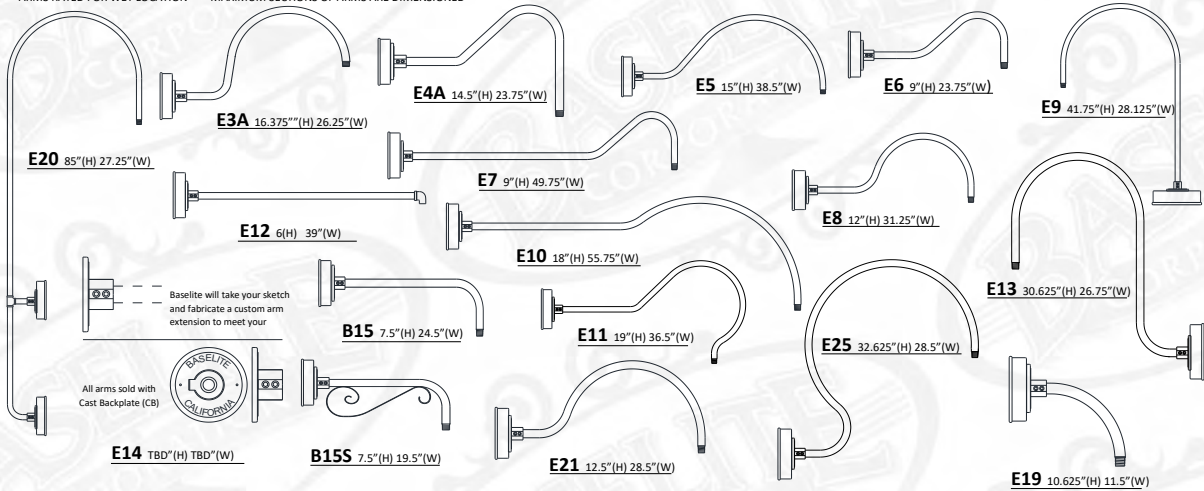
1/2" ARM EXTENSIONS

*ARMS RATED FOR WET LOCATION * MAXIMUM SECTIONS OF ARMS ARE DIMENSIONED



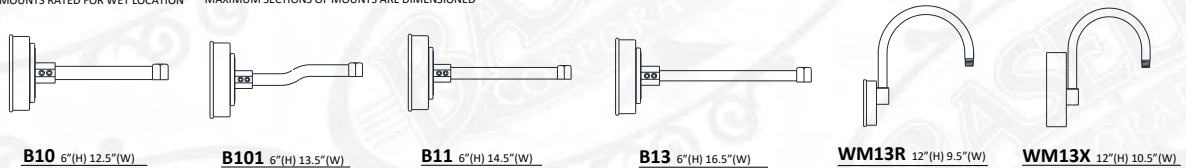
3/4" ARM EXTENSIONS

*ARMS RATED FOR WET LOCATION * MAXIMUM SECTIONS OF ARMS ARE DIMENSIONED



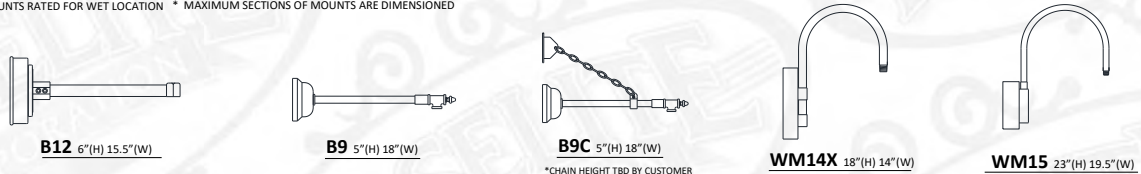
1/2" WALL MOUNTS

*MOUNTS RATED FOR WET LOCATION * MAXIMUM SECTIONS OF MOUNTS ARE DIMENSIONED



3/4" WALL MOUNTS

*MOUNTS RATED FOR WET LOCATION * MAXIMUM SECTIONS OF MOUNTS ARE DIMENSIONED





BASELITE RLM CATALOG

PROJECT NAME: _____
PROJECT TYPE: _____

C - MOUNTING OPTIONS (CONTINUED)

3/4" WALL MOUNTS

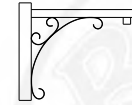
*MOUNTS RATED FOR WET LOCATION * MAXIMUM SECTIONS OF MOUNTS ARE DIMENSIONED



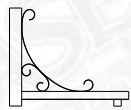
WM35X 26"(H) 22"(W)



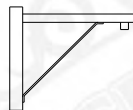
WM55X 19"(H) 27"(W)



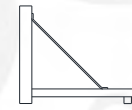
WM60X 18"(H) 22"(W)



WM61X 18"(H) 22"(W)



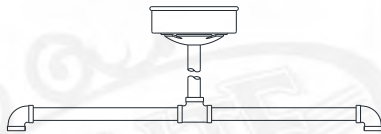
WM70X 18"(H) 22"(W)



WM71X 18"(H) 22"(W)

STEM MOUNTS

*STEMS RATED FOR DAMP LOCATION



DP24 DOUBLE PENDANT 20"(H) 24"(W)
*DP24 COMES STANDARD WITH LSTC AND ST18



ST(XX) STEM- 1/2" NPT
XX = LENGTH OF STEM
(EXAMPLE - "ST18" = STEM MOUNT 18" LENGTH)
*CANOPY NOT INCLUDED, ADD IN SECTION D
* 1/4" NPT AND 3/4" NPT AVAILABLE UPON REQUEST



SC24 SCROLL STEM 33"(H) 26"(W)
*SC24 COMES STANDARD WITH LSTC

LED CORD MOUNTS

*FOR LED & COMPACT FLUORESCENT OPTIONS, CANOPIES WILL VARY IN SIZE DUE TO SIZE OF THE DRIVER/BALLAST THAT WILL BE LOCATED INSIDE OF THE CANOPY.
*CORDS RATED FOR DRY LOCATION *CANOPY DIMENSIONS: 3" (H) 6" (W) *CORD AND CANOPY COME IN THE SAME COLOR.



LBLC 8' BLACK CORD
LWHC 8' WHITE CORD



LTCB 8' BLACK CORD, CABLE, and LOOP
LTCW 8' WHITE CORD, CABLE, and LOOP



LTCHB 8' BLACK CORD, 3" CHAIN, and LOOP
LTCHW 8' WHITE CORD, 3" CHAIN, and LOOP



LTLB 8' BLACK TELEPHONE CORD AND CABLE
LTLW 8' WHITE TELEPHONE CORD AND CABLE
* Not available with compact fluorescent



LRCB 8' BLACK CORD, CABLE, and LOOP
LRCW 8' WHITE CORD, CABLE, and LOOP



LRCHB 8' BLACK CORD, 3" CHAIN, and LOOP
LRCHW 8' WHITE CORD, 3" CHAIN, and LOOP



LFHB 8' BLACK CORD WITH FLAT HUB
LFHW 8' WHITE CORD WITH FLAT HUB



LCBLC 8' BLACK CORD and CABLE
LCWHC 8' WHITE CORD and CABLE

NOTES:
*DISTANCE TO LAMP (CF) 10'
*All compact fluorescent and LED housings may vary in size according to light source chosen.



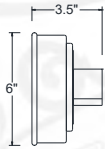
BASELITE RLM CATALOG

PROJECT NAME: _____
PROJECT TYPE: _____

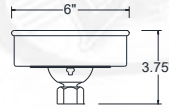
D - MOUNTING ADD-ONS

LED - STEM AND ARM ADD-ONS

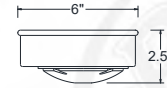
* FOR LED & COMPACT FLUORESCENT OPTIONS, CANOPIES WILL VARY IN SIZE DUE TO SIZE OF THE DRIVER/BALLAST THAT WILL BE LOCATED INSIDE OF THE CANOPY.



LWTM WEATHERTIGHT LED WALL MOUNT



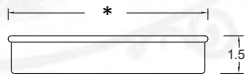
LSLC LED SLOPE CEILING CANOPY



LSTC LED STEM MOUNT CANOPY

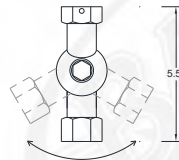
UNIVERSAL STEM AND ARM ADD-ONS

* EXAMPLE FOR MULTIPLE MOUNTING ADD-ONS:

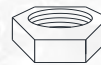


CNK CANOPY For MULTIPLE FIXTURES

*CNK dimensions vary on number of fixtures applied



LGSWL 1/2" NPT SWIVEL
For all shades greater than 7" wide in diameter



FH 1/2" FLAT HUB 1/2"
FH 3/4" FLAT HUB 3/4"



TRB 1/2"-4' Cable SUPPORT
TRB 3/4"-4' Cable SUPPORT

F – LIGHT SOURCE

BASELITE'S PUBLISHED LUMINAIRE PHOTOMETRIC TESTING WAS PERFORMED IN A 3-METER INTEGRATING SPHERE USING THE 4TT GEOMETRY METHOD. DATA IS CONSIDERED TO BE REPRESENTATIVE OF THE CONFIGURATIONS SHOWN, WITHIN THE TOLERANCES ALLOWED BY LIGHTING FACTS. TO OBTAIN AN IES FILE SPECIFIC TO YOUR PROJECT, PLEASE CONTACT THE FACTORY.

LIGHT EMITTING DIODE (LED)						
LED 25W (MAX)- YL14, YL16, YP14, YP16, CYP14, CYP16				*IMPORTANT – FOR LIGHT EMITTED DIODE (LED) LIGHT SOURCE OPTION FIXTURES ARE LIMITED DUE TO SIZE OF THE FIXTURE AND THE CORD WATTAGE RESTRICTIONS. PLEASE SEE AVAILABILITY CHART TO THE LEFT. EXAMPLE: / LED25W /		
OPTION	WATTAGE	LUMENS		CRI	VOLTAGE	DIMMING
LED12W	12W	1000	1200	>90	120-277 VAC	See section "H"
LED25W	25W	1900	2000	>90	120-277 VAC	See section "H"
		@3000K	@5000K			

H – ELECTRICAL OPTION

MOST BASELITE'S ELECTRICAL OPTIONS ARE ONLY COMPATIBLE FOR CERTAIN FIXTURES. PLEASE SEE NOTES BELOW AND FOR FURTHER DEATIALS CONTACT THE FACTORY. FOR DIMMING BALLAST OPTION PLEASE CHOOSE MARK X OR MARK VII, SO RESTRICTIONS APPLY DUE TO THE SIZE OF THE BALLAST AND FIXTURE.

LED DIMMING OPTIONS
FOR TRIAC OR 0-10V OPTOIN CHOOSE FROM THE FOLLOWING. CONTACT DRIVER MANUFACTURER FOR SPECIFICATIONS.
LDM120 - TRIAC DIMMING AT 120 VOLT
LDM277 - TRIAC DIMMING AT 277 VOLT
LDM0-10V - 0 – 10v










BASELITE RLM CATALOG

PROJECT NAME: _____
PROJECT TYPE: _____

I – GLASS OPTIONS

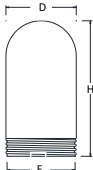
*NOTE: MUST USE TEMPERED GLASS FOR LIGHT FIXTURES USING HIGH INTENSITY DISCHARGE (HID) LIGHT SOURCE OPTION.







			
CL3 3" CLEAR GLASS	PR3 3" PRISMATIC GLASS	RE3 3" RED GLASS	BL3 3" BLUE GLASS
CL4 4" CLEAR GLASS	PR4 4" PRISMATIC GLASS	RE4 4" RED GLASS	BL4 4" BLUE GLASS
CLT3 3" CLEAR TEMPERED			
CLT4 4" CLEAR TEMPERED			
			
FR3 3" FROSTED GLASS	AH3 3" AMBER HYDE GLASS	GR3 3" GREEN GLASS	
FR4 4" FROSTED GLASS	AH4 4" AMBER HYDE GLASS	GR4 4" GREEN GLASS	
FRT3 3" FROSTED TEMPERED			
FRT4 4" FROSTED TEMPERED			

GLASS – DIMENSIONS


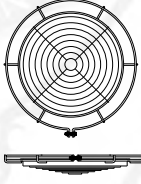


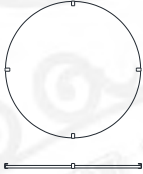
3" GLASS
Diameter 3.34"
Height 6.93"
Fitter 3.29"

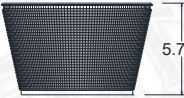

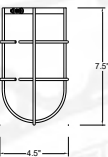
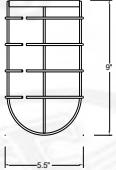

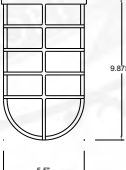
4" GLASS
Diameter 4.34"
Height 8.37"
Fitter 4.29"



		
BA 6" OPAL BALL (100W INC MAX/LED12W)	BAX 9" CLEAR GLOBE	FN 8" CLEAR TEXTURED GLOBE (150W INC MAX/LED25W)
		
BA7 7" CLEAR GLOBE	PR8 8" PRISMATIC	OC 8" OPAL TAPERED GLOBE (60W INC MAX/LED25W)
BA7F 7" FROSTED GLOBE (100W INC MAX/LED25W)	PR8F 8" PRISMATIC FROSTED (200W INC MAX/LED45W)	

J – ACCESSORIES

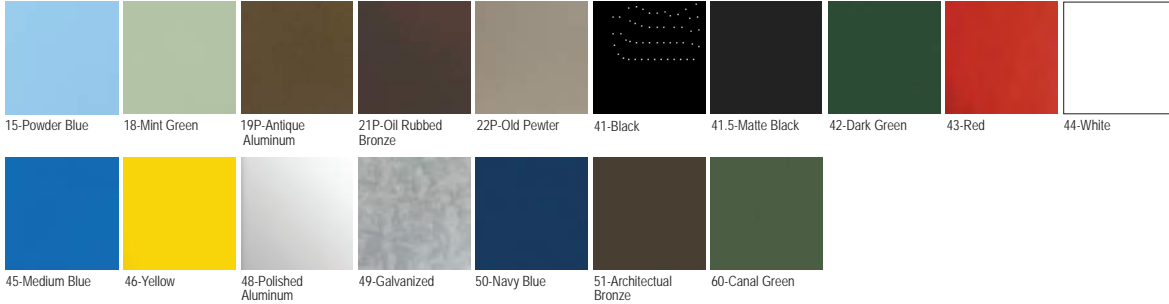
				
GR14 14" WIRE GRILL	LGR14 14" LOUVERED GRILL	FGR14 14" FLAT GRILL	CRL14 14" CURVED POLYCARB LENS	FLE14 14" FLAT CLEAR LENS
GR16 16" WIRE GRILL	LGR16 16" LOUVERED GRILL	FGR16 16" FLAT GRILL	CRL16 16" CURVED POLYCARB LENS	FLE16 16" FLAT CLEAR LENS

					
REF 9.5" DIAMETER REFRACTOR	UGR U-WIRE GUARD	WG-1 WIRE GUARD	WG-2 WIRE GUARD	GU-1 CAST ALUMINUM GUARD	GU-2 CAST GUARD



POWDER COAT & METAL FINISH OPTIONS

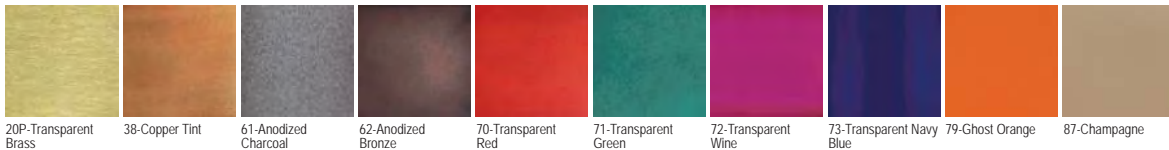
BASIC POWDER COAT



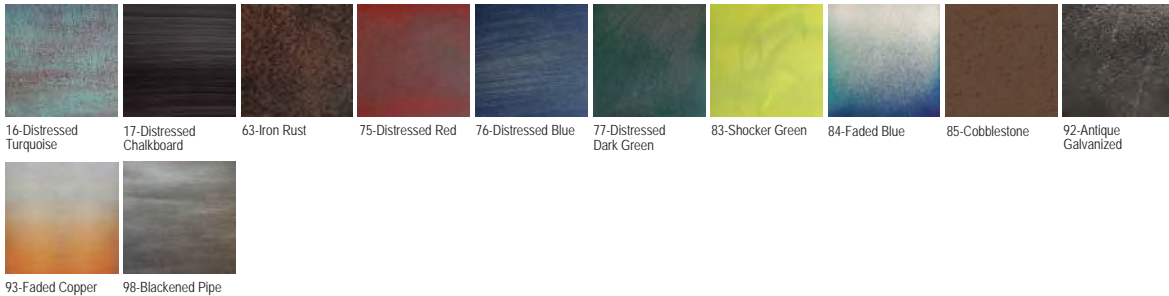
BASIC UPGRADED POWDER COAT



TWO - COAT POWDER COAT



SPECIALTY POWDER COAT

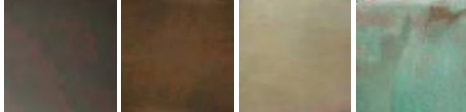




POWDER COAT & METAL FINISH OPTIONS

ACID DIP

- Acid finishes are applied by hand and consistency will vary on each application.



19(A)-Antique Aluminum

21(A)-Oil Rubbed Bronze

22(A)-Old Pewter

23(A)-Old Copper Pewter

METAL FINISH



14PN-Polished Nickel

20-Raw Brass

20SB-Satin Brass

20PB-Polished Brass

39-Raw Copper

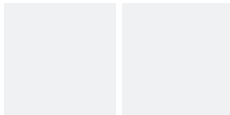
40-Copper with Clear Coat

57-Polished Alum. Clear Coat

88-Satin Aluminum

ADDITIONAL TOP COAT

- Ghost matte and Marine grade clear coats are an additional cost and will change the appearance of the bottom powder coat color.



G - Ghost Matte Clear Coat

MG - Marine Grade Clear Coat

SPECIFICATIONS

- Finish options that are the same color inside and out of the shade - 19(A), 20, 20PB, 20SB, 20P, 21(A), 22(A), 23(A), 38, 39, 40, 48, 49, 54, 57, 58, 61, 62, 63, 64, 65, 66, 70, 71, 72, 73, 78, 83, 84, 88, 92, 93, 98
- Finish options with a white powder coat inside of the shade - 14, 18, 19P, 21P, 22P, 41, 41.5, 42, 43, 44, 45, 46, 50, 51, 52, 53, 55, 59, 60, 74, 75, 76, 77, 79, 80, 81, 82, 85, 86, 87, 89, 90, 91, 94, 95, 96, 97, 99, 100
- All fixtures 10" and smaller come with the same color inside and out of the shade.
- Finish option 88 is only available with certain shades, call for further information.
- All finish options except "basic" and "basic upgrade" are considered premium finish options and lead times will be longer.
- Finish options - 59, 61, 62, 70, 71, 72, 72 are all finished with superchrome on the inside of the shade when LED light source is selected.
- These color swatches are representative only and may vary in color and texture
- G & MG - ghost matte and marine grade top coats can be applied to any finish and is an additional fee.